



TWCD

INSET TAXIWAY CENTRELINE AND STOP BAR LIGHT



COMPLIANCES

ICAO: Annex 14 - Volume I Fig. A2-12, A2-13, A2-14, A2-15, A2-16

FAA: L-852A-B-C-D-J-K AC150/5345-46

IEC: TS 61827

NATO: STANAG 3316

CAA: CAP 168

IAAE: TP312

APPLICATIONS

Taxiway centreline, stopbar and intermediate holding positions for ICAO CAT I,II and III, FAA and military taxiways

BENEFITS

- 1500 hours lamp rated life at full intensity, but over 3000 hours in field operating conditions
- Significant energy saving and stable chromaticity thanks to the use of dichroic filters
- Designed and manufactured with simplicity and easy to maintain
- No use of sealant to fix the prisms in the dome thanks to customized gaskets, making their replacement quick and easy
- No optical adjustment after lamp, filter or prism replacement
- Valve for watertightness test after overhaul
- Dome temperature less than 160°C at 6.6A

PERFORMANCES

- 6.35 mm protrusion strongly reduces vibrations to aircrafts and to light itself, increasing its lifetime
- Dome smooth outer profile makes the light less sensitive to snowplough blades
- Bidirectional or unidirectional, 8" dia.
- Drop-forged dome and cast aluminium lower cover make the fitting sturdy, but lightweight too for ease handling in the field
- Light output practically not affected by heavy rainfall thanks to the shallow channel in front of the prism windows
- O-Ring placed outside the dome to avoid dirt deposits between light and base
- Protection degree: IP67
- Temperature range: -55°C to +55°C

INSTALLATION

- Suitable for 8" dia. bases
- Adaptor ring for installation on 12" bases
- Specific tools available for easy and precise installation

PHOTOMETRIC PERFORMANCES

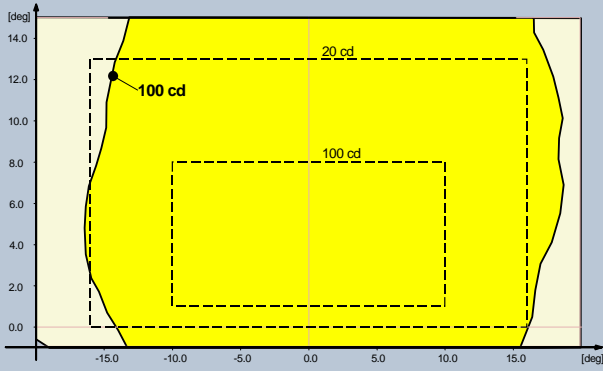


Fig. 1 ICAO A2-12 Straight Section – Yellow

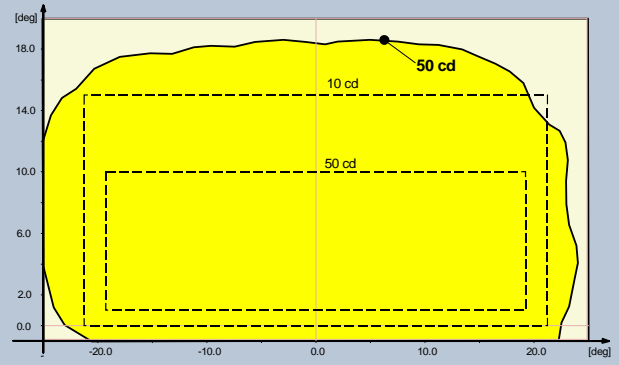


Fig. 2 ICAO A2-14 Curved Section – Yellow

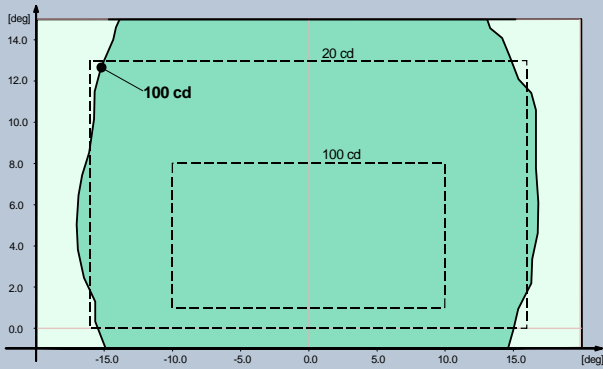


Fig. 3 ICAO A2-12 Straight Section – Green

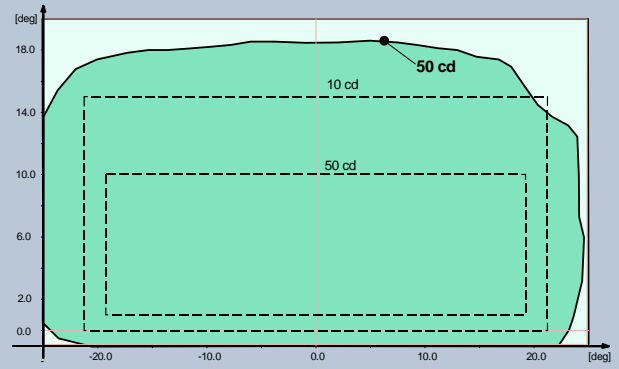


Fig. 4 ICAO A2-14 Curved Section – Green

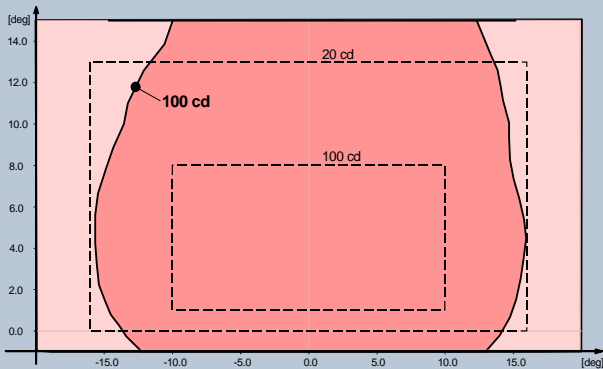


Fig. 5 ICAO A2-12 Straight Section – Red

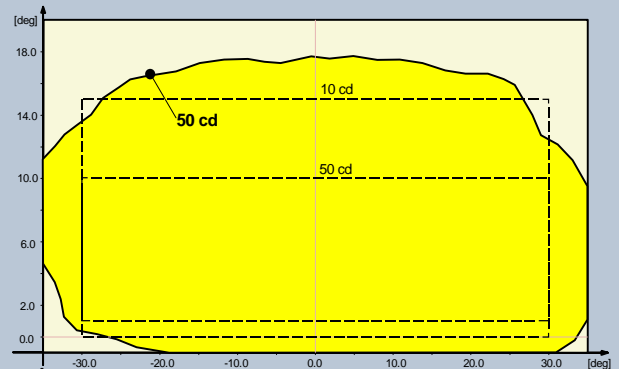


Fig. 6 FAA L-852D – Yellow

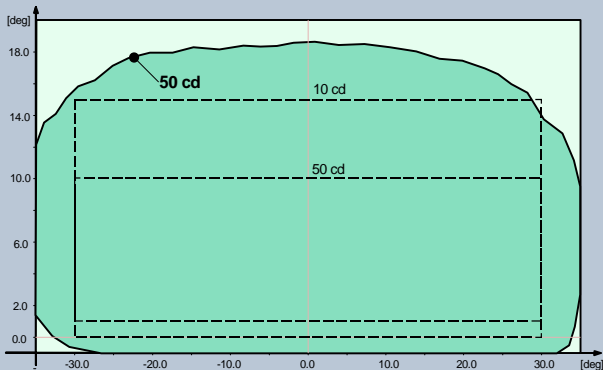
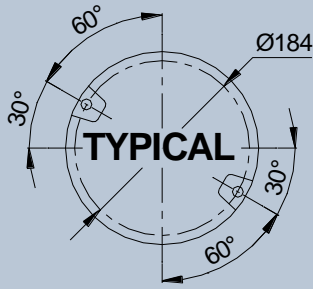
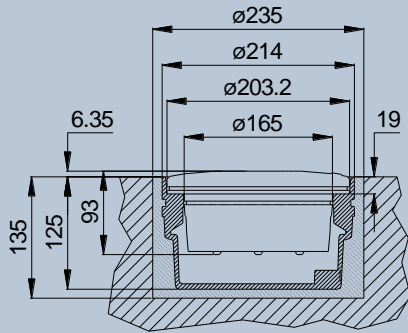


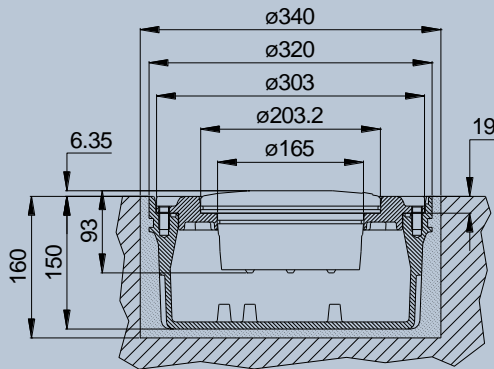
Fig. 7 FAA L-852D – Green



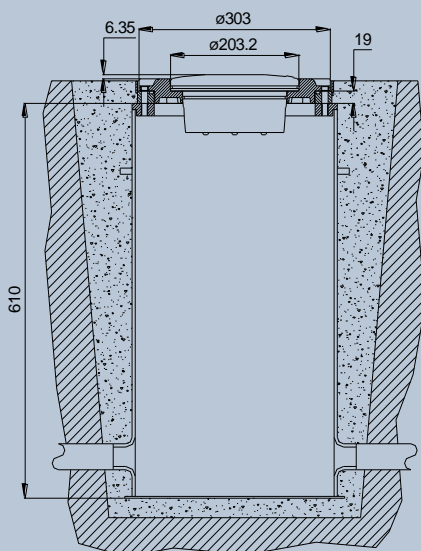
Light Fixture 8" dia.



Shallow Base 8" dia.



Shallow Base 12" dia.



L-868 Deep Base 12" dia.

TWCD- A - I - GG - 1P - 090 - O - F

Basic P/N: _____

Use Code: _____
(Refer to TABLE A)

Compliance: _____

- I = ICAO CAT III
- S = STANAG and ICAO CAT I-II
- F = FAA

Colour (Side A)/(Side B)*: _____

- G = Green
- Y = Yellow
- R = Red
- X = Screened
- M = Blank (unidirectional dome) **

Electrical System: _____

- 1P = One Plug
- 2P = Two Plugs

Lamps: _____

- 030 = 1x30W 6.6A with reflector
- 045 = 1x48W 6.6A with reflector
- 060 = 2x30W 6.6A with reflector
- 090 = 2x48W 6.6A with reflector

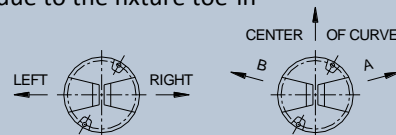
Mounting Assembly: _____

- O = No Mounting Assembly
- R = Adaptor Ring 8"-12" dia.

Options: _____

- F = Fuse Cutouts

* For curved sections it's necessary to specify the colour of each side, "A" and "B", due to the fixture toe-in



Straight and Curved Section Orientation

** The not-finished "M" side, on straight sections, is always side "B"

TABLE A

USE	I = ICAO CAT III	S = ICAO CAT I-II	F = FAA
A	Fig. A2-12 straight before and after curves	Fig. A2-15 straight	L-852A
B			L-852B
C	Fig. A2-13 straight		L-852C
D			L-852D
W	Fig. A2-14 curved	Fig. A2-16 curved	
K			L-852K
J			L-852J

RENEWAL PARTS FOR LIGHT UNIT

- 1 Dome with prisms and gaskets
- 2 O-Ring for dome
- 3 O-Ring for lower cover
- 4 Prism gasket
- 5 Prism
- 6 Filter
- 7 Aluminium screen for unidirectional light
- 8 Teflon filter-holder
- 9 Filter-holder box
- 10 Mounting plate
- 11 Lampholder
- 12 Vibration damping block with hardware
- 13 Lamp
- 14 Fuse cutout
- 15 Insulated strip with hardware
- 16 Lower cover with plugs and valve
- 17 O-Ring for base
- 18 Valve for watertightness test
- 19 FAA L-823 plug

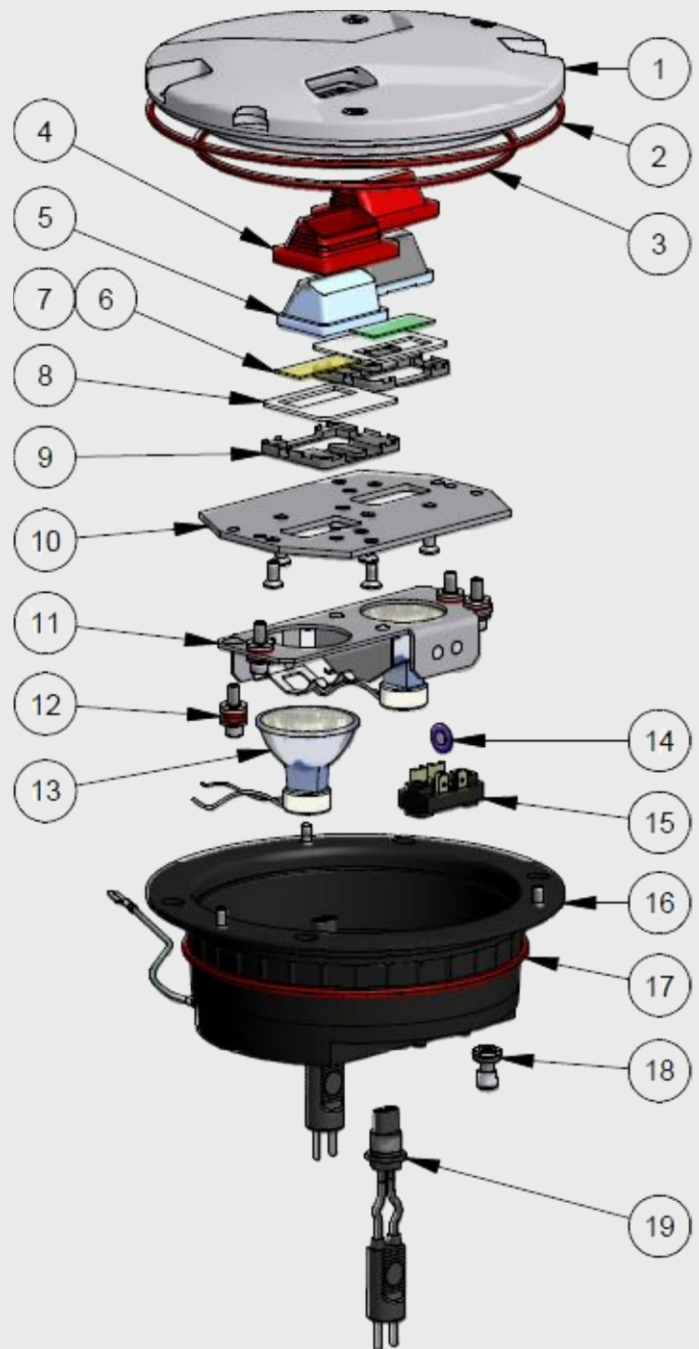
Refer to the relevant technical manual for the complete list of the available spare parts

ACCESSORIES

- 315.1230 Base L-868 type, class IA, size B, 24" deep *
- 315.1420 Flange ring with pavement dam for L-868 base, size B, with O-Ring and bolts
- 152.5251 Shallow base, 8" dia., one cable lead, with hardware
- 152.5261 Shallow base, 8" dia., two cable leads, with hardware
- 152.8110 Shallow base, 12" dia., one cable lead, with gasket and hardware
- 153.1110 Shallow base, 12" dia., two cable leads, with gasket and hardware
- 152.6116 Adaptor Ring 8"-12" dia. complete with hardware
- 712.1034 Setting material for shallow base, 10 lt
- 712.1035 Quartz for shallow base, 25 kg
- 332.4301 Positioning jig for 8"-12" dia. shallow base, without optical device
- 332.4351 Optical device for positioning jig to allow a very precise light unit orientation
- 332.4330 Watertight/shockproof plastic case complete with positioning jig for base and optical device
- 332.4140 Lifting tool (2 pieces to work properly)

* Sectional bases may be required depending upon the paving technique

For any information about isolating transformers and connectors, please see the specific catalogue pages

**Shipping Weights and Volumes**

	Light Unit	Shallow Base	Light Unit & Adaptor Ring
Weight (kg)	2.9	3.2	6.05
Volume (m ³)	0.007	0.007	0.013

We reserve the right to change the design or specification data without notice

UC-PU-0103_EN-Rev.E