

TITAN 220

Highly efficient LED floodlight designed specifically for high mast and large area lighting.

Electronic, LED control gear driving 48 LEDs at 1.5A with asymmetrical distribution. IP67, Class I protection with 15kA Surge Protection.

Body: recyclable, extruded aluminium and powder-coated steel. Optic Enclosure: PMMA Weather-proof lenses. Reversible mounting bracket supplied, optional spigot adaptors available separately for post-top mounting.



CE LED IP67  

Technical data

Performance

Nominal Flux:	24,000 lm
Net Flux:	22,800 lm
Power Absorption:	228W

Optoelectronics

LED Type:	OSRAM Oslon square
Circuit Board:	MPCB 1.6mm
CRI:	$70 \geq R \leq 80$
Luminous Eff Loss:	< 1% per annum
Colour Temperature:	3,000K to 5,700K
Lumen Maintenance L90 B10	63,000h
Lumen Maintenance L70 B50	> 100,000h

Optics

Secondary Lens:	Refraction Array
System Treatment:	IP67, Anti-yellowing
Available optics:	FL / FH / SW / SM / ST
No of LEDs / module:	48
No of modules:	1

Luminaire Body

Structure:	Galvanised Steel
Metal coating:	Powder Painted
Heatsinks:	Extruded Aluminium
Bracket:	Central Bolt 20mm
Weight:	13.5 Kg
Installation height:	12m to 35m
Installation angle:	Tilt Adjustment 360°
Dimensions:	597L x 384W x 245H mm
Windage Area:	0.043m ²

Electronics

Voltage input:	90-305 VAC 50-60Hz
Active Power F.C.	0.95
Mean time to Failure:	200,000 hrs
Dimming Function:	1-10V / DALI
Surge Protection:	15kA, IEEE C62.41.2 Location Category C High
Insulation Class:	IEC Class I
IP Rating:	IP 67
Short Circuit Protection:	Auto-recovery
Over Heat Protection:	Drops output current
Rel. Humidity Range:	0% - 94%
Operating Temp:	-40°C up to +55°C

Normative references

- EN 60598-1: 2015 - Luminaires - Part 1: General requirements and tests
- EN 60598-2-5: 2015 Luminaires - Part 2-5: Particular requirements - Floodlights
- EN 62031: 2008 + A2:2015 - LED modules for general lighting - Safety specifications
- EN 60598-2-3: 2003 + A1: 2011 - Luminaires - Part 2-3: Particular requirements - Luminaires for road and street lighting
- EN 62493: 2015 Assessment of lighting equipment related to human exposure to electromagnetic fields
- EN 60529: 1992 + A2: 2013 - Degrees of protection provided by enclosures (IP Code)
- IEC 60068-2-52: 1996 Environmental test - Part 2: Tests - Test Kb - Salt mist cyclic (sodium chloride solutions)
- EN 55015: 2013 + A1: 2015 - Limits and methods of measurement of radio disturbance characteristics of electrical lighting and similar equipment
- EN 61547: 2009 - Equipment for general lighting purposes - EMC immunity requirements
- EN 61000-3-2: 2014 - Electromagnetic compatibility (EMC) - Part 3-2: Limits - Limits for harmonic current emissions (equipment input current ≤ 16 A per phase)
- EN 61000-3-3: 2013 - Electromagnetic compatibility (EMC) - Part 3-3: Limits - Limitation of voltage changes, voltage fluctuations and flicker in public low-voltage supply systems, for equipment with rated current ≤ 16 A per phase and not subject to conditional connection
- EN 61643-11: 2012 - Low-voltage surge protective devices. Part 11: Surge protective devices connected to low-voltage power systems - Requirements and test methods
- IEEE C62.41.2-2002 - Recommended practice on characterization of surges in low-voltage AC power



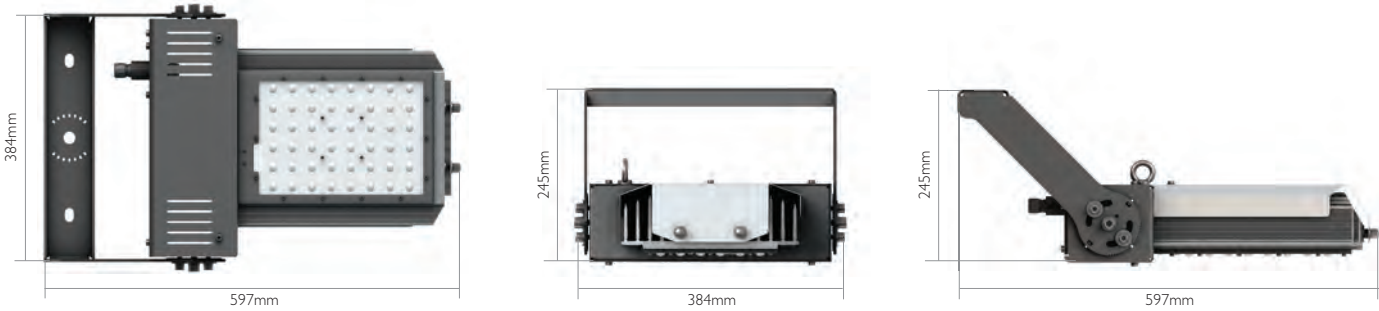
OCEM, a division of Energy Technology srl, Via della solidarietà 2/1, 40056 Valsamoggia, Italy
Tel +39 051 665 6611 Email ocem@ocem.com www.ocem.com



Midstream Lighting Ltd, 1 Chesham Street, London SW1X 8ND, UK
Tel +44 207 584 8310 Email info@midstreamlighting.com
www.midstreamlighting.com



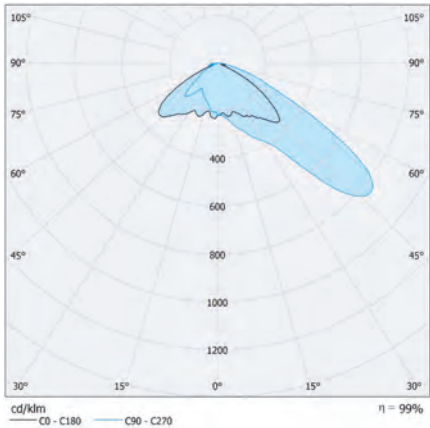
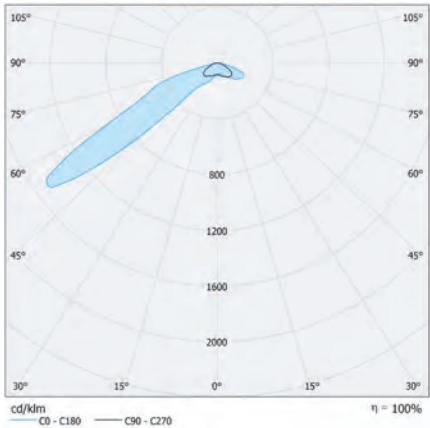
Dimensions



Photometrics

FH Floodlight high asymmetry

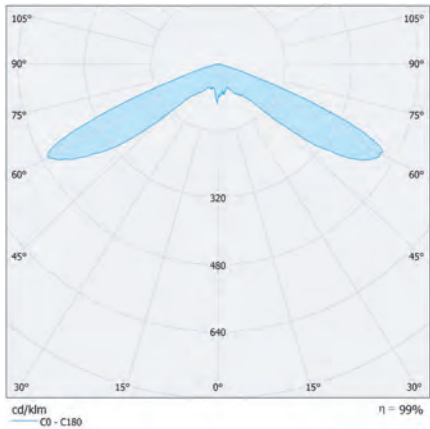
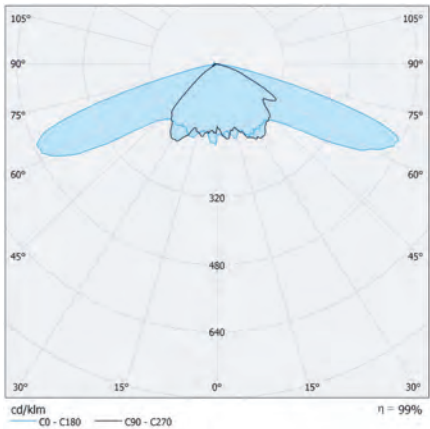
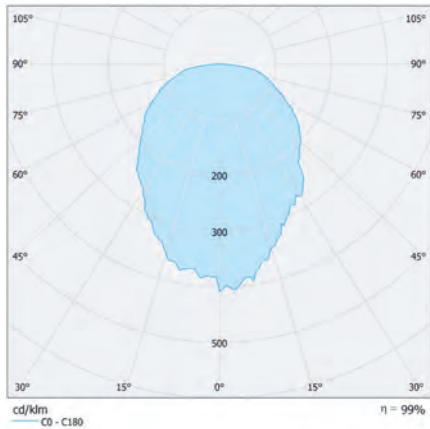
FL Floodlight low asymmetry



SM symmetrical medium

ST street optic

SW symmetrical wide



Ordering codes

Product Family	Power	Optic	CCT	Bracket	Control system	Body colour	Optional
T (Titan)	22	FL (Flood Low Angle)	A (5700K)	T (Flood Bracket)	I0 (1-10V) - Default Option	S (Standard Black and White)	O1 (SPD)
		FH (Flood High angle)	B (4000K)	P (Pole Bracket 60-76)	TL (Telensa Wireless Control Node)	H (High Heat Environment)	O2 (External IP68 Control Connector)
		SW (Symmetrical Wide)	C (3000K)		DA (DALI)	SR (Sand Resistant)	
		SM (Symmetrical Medium)			MF (MayFlower-Wireless Control Node)		
		ST (Street)					

Example: T22FH-BP-TLS01

Note: Specifications are subject to change without notice

