

SO

Low Intensity Obstruction Light

Compliances:

- **ICAO:** Annex 14 - Volume I
- **FAA:** L-810 AC150/5345-43 (Current Edition)
- **NATO:** STANAG 3346



Applications:

- The SO fixtures are of the **low intensity, omnidirectional, elevated, steady-burning type, with single or double light** and are used for air navigation obstruction marking.
- These fixture are designed to be **powered in parallel by either alternate or direct voltage of the values of 24 V, 48 V or 230 V.**
- The field positioning shall be in compliance with the requirements of ICAO - Annex 14, STANAG o FAA..

Characteristics:

- Cast aluminium body, complete with lampholder fastened to an adjustable support.
- Symmetric Fresnel red lens, made of heat resistant glass with threaded bottom which is screwed on the body with neoprene gasket. The lens is provided with a metallic ring for easy lamp replacement.
- The mounting assembly (for SO2 only) consists of an intermediate watertight aluminium box complete with suitable pipe fittings. If required, the transfer relay is mounted inside the box.
- A suitable grounding screw is provided.

Luminous Sources:

- 60 W, 75 W or 100 W lamp, E27 base, 230 V, 8000 hour rated life;
- 60 W lamp, E27 base, 25 V or 50 V, 1000 hour rated life;
- 40 W lamp, E27 base, 24 V, 1000 hour rated life;
- Quick relamping with no use of special tools

Auxiliary Equipment:

- A system made of one or more lights can be powered by a single watertight control box complete with transfer relays and signal lamps.
- An obstruction marker system can be equipped with automatic photoelectric control.

Installation:

- On a 1" pole dia. as standard. Baseplate or special flange for wall mounting can be supplied on request.

How To Order:

SO - 1 - 310 - XX - B

Basic Part Number: _____

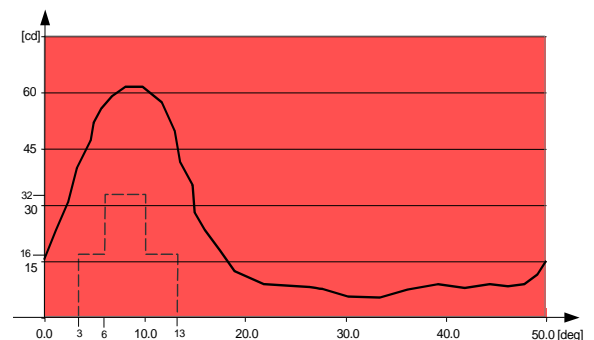
Fixture Type: _____
1 = Single
2 = Double

Lamp Type: _____
310 = 100 W 220-240 V E27 Base (long life type)
309 = 75 W 220-240 V E27 Base (long life type)
311 = 60 W 220-240 V E27 Base (long life type)
302 = 40 W 24 V E27 Base
711 = 60 W 50 V E27 Base
710 = 60 W 25 V E27 Base
027 = No E27 Lamp

Transfer Relay: _____
XX = For SO1 only
*R0 = No Transfer Relay
*R1 = 220 VAC Transfer Relay, 60-100 W Lamp Rating
*R2 = 24 VDC Transfer Relay, 40 W Lamp Rating
*R3 = 24 VAC Transfer Relay, 40 W Lamp Rating
*R4 = 48-50 VAC Transfer Relay, 60 W Lamp Rating
*R6 = 24 VAC Transfer Relay, 60 W Lamp Rating

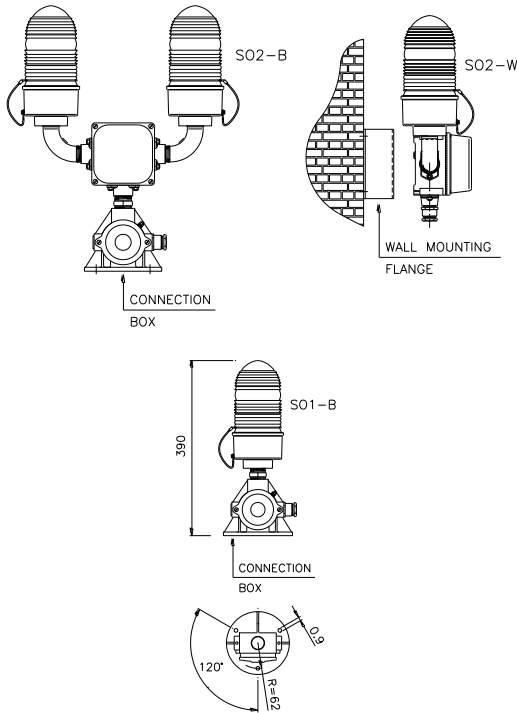
Options: _____
B = Connection Box
C = Connection Box with 1" Standard Pipe
* P = Suitable for Pavement Installation
* W = Wall Mounting Flange

* Only for Double Fixture Type.

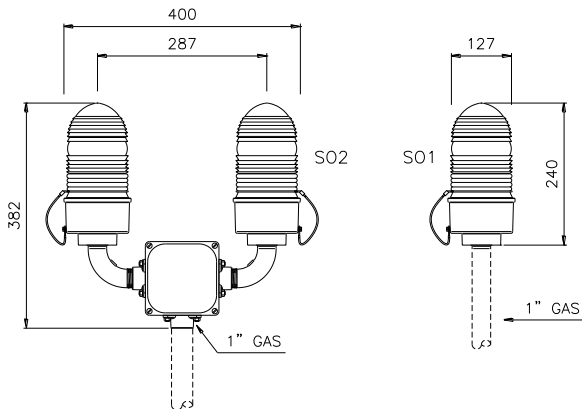


ICAO type "B" 100 W 230 V Lamp

Installation:



Overall Dimensions:



Accessories:

[P/N]	Description
010.2616	Control box for 1 double obstruction light, 230 VAC power supply (lamp wattage > 60 W)
010.2617	Control box for 1 double obstruction light, 230 VAC power supply (lamp wattage ≤ 60 W)
010.2642	Control box for 2 double obstruction lights, 230 VAC power supply (lamp wattage > 60 W)
010.2643	Control box for 2 double obstruction lights, 230 VAC power supply (lamp wattage ≤ 60 W)
010.2645	Control box for 3 double obstruction lights, 230 VAC power supply (lamp wattage > 60 W)
010.2645	Control box for 3 double obstruction lights, 230 VAC power supply (lamp wattage ≤ 60 W)
010.2648	Control box for 4 double obstruction lights, 230 VAC power supply (lamp wattage > 60 W)
010.2649	Control box for 4 double obstruction lights, 230 VAC power supply (lamp wattage ≤ 60 W)

[P/N]	Description
010.2651	Control box for 5 double obstruction lights, 230 VAC power supply (lamp wattage > 60 W)
010.2652	Control box for 5 double obstruction lights, 230 VAC power supply (lamp wattage ≤ 60 W)
010.2653	Control box for 6 double obstruction lights, 230 VAC power supply (lamp wattage > 60 W)
010.2654	Control box for 6 double obstruction lights, 230 VAC power supply (lamp wattage ≤ 60 W)
010.2655	Control box for 7 double obstruction lights, 230 VAC power supply (lamp wattage > 60 W)
010.2656	Control box for 7 double obstruction lights, 230 VAC power supply (lamp wattage ≤ 60 W)
010.2657	Control box for 8 double obstruction lights, 230 VAC power supply (lamp wattage > 60 W)
010.2658	Control box for 8 double obstruction lights, 230 VAC power supply (lamp wattage ≤ 60 W)
010.2659	Control box for 9 double obstruction lights, 230 VAC power supply (lamp wattage > 60 W)
010.2660	Control box for 9 double obstruction lights, 230 VAC power supply (lamp wattage ≤ 60 W)
010.2640	Control box for 10 double obstruction lights, 230 VAC power supply (lamp wattage > 60 W)
010.2641	Control box for 9 double obstruction lights, 230 VAC power supply (lamp wattage ≤ 60 W)
480.8008	230 VAC photoelectric switch

Renewal Parts:

[P/N]	Description
166.4070	E27 lampholder with support
479.0137	Transfer relay for lamps, 230 VAC
481.0127	Base for transfer relay P/N 479.0137
479.0150	Transfer relay for lamps 60 W, supply 48-50 VAC
479.0151	Transfer relay for lamps 60 W, supply 24 VAC
479.0153	Transfer relay for lamps 40 W, supply 24 VDC
481.0129	Base for transfer relay P/N 479.0150, 479.051 e 479.0153
760.1520	100 W lamp, 220-240 V, E27 base
760.1470	75 W lamp, 220-240 V, E27 base
760.1345	60 W lamp, 220-240 V, E27 base
760.0770	60 W lamp, 220-240 V, B22/d base
760.1370	60 W lamp, 50 V, E27 base
760.1360	60 W lamp, 25 V, E27 base
760.1250	40 W lamp, 24 V, E27 base
166.4035	Red lens with safety rope and hardware
758.2009	Gasket for lens

Shipping Weights and Volumes:

	SO1	SO1 with Connection Box	SO2	SO2 with Connection Box
Weight	1,7 kg	2,2 kg	6,7 kg	7,2 kg
Volume	0,012 m ³	0,016 m ³	0,046 m ³	0,046 m ³



Via della Solidarietà, 2/1
40056 Valsamoggia Loc. Crespellano – Bologna (Italy)
tel: +39 051 6656611 - fax: +39 051 6650099
e-mail: ocem@ocem.com - web: www.ocem.com