



# SLTE

## INSET THRESHOLD/END LIGHT



### COMPLIANCES

ICAO: Annex 14 - Volume I Fig. A2-3, A2-8

IEC: TS 61827

NATO: STANAG 3316

CAA: CAP 168

IAAE: TP312

### APPLICATIONS

Threshold/Runway End for ICAO CAT I,II and III, and military runways

### BENEFITS

- 1000 hours lamp rated life at full intensity, but over 3000 hours in field operating conditions
- Significant energy saving and stable chromaticity thanks to the use of dichroic filters
- Designed and manufactured with simplicity and easy to maintain
- No use of sealant to fix the prisms in the dome thanks to customized gaskets, making their replacement quick and easy
- No optical adjustment after lamp, filter or prism replacement
- Valve for watertightness test after overhaul
- Dome temperature less than 160°C at 6.6A

### PERFORMANCES

- 12.7 mm protrusion
- Bidirectional or unidirectional, 12" dia.
- Cast aluminium dome and lower cover make the fitting sturdy, but lightweight too for ease handling in the field
- The optical channels in front of the prism windows protect the prisms from damages, preventing rubber deposits, scratches and shocks, thereby maintaining an optimal light output and reducing maintenance costs
- O-Ring placed outside the dome to avoid dirt deposits between light and base
- Protection degree: IP67
- Temperature range: -55°C to +55°C

### INSTALLATION

- Suitable for 12" dia. bases
- Specific tools available for easy and precise installation

## PHOTOMETRIC PERFORMANCES

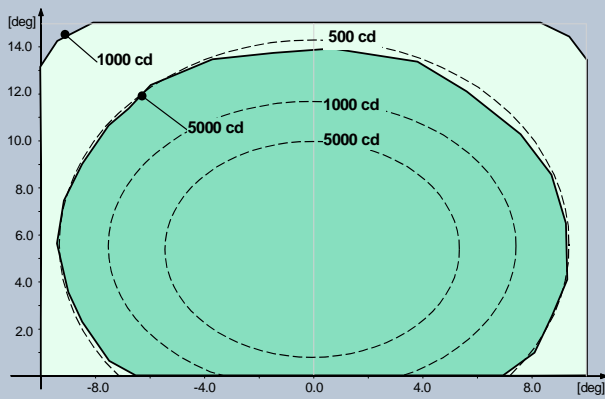


Fig. 1 ICAO A2-3 – Green

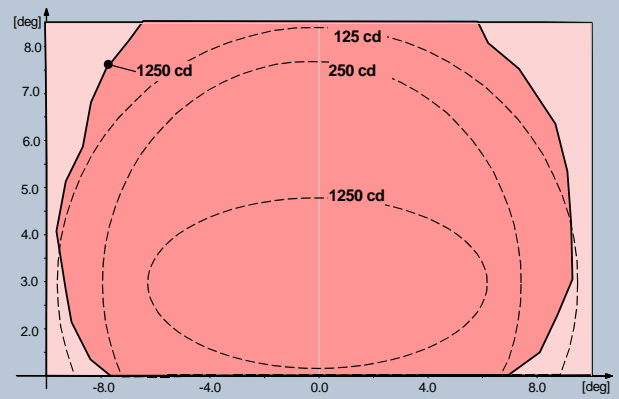
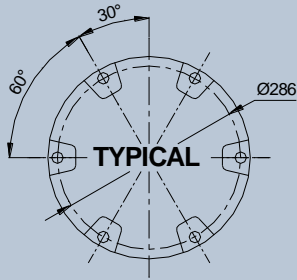
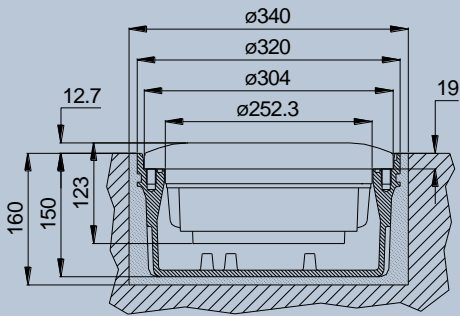


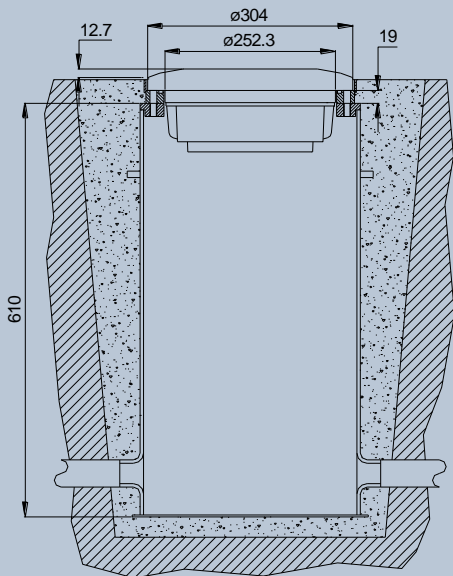
Fig. 2 ICAO A2-8 – Red



TYPICAL  
Light Fixture 12" dia.



Shallow Base 12" dia.



L-868 Deep Base 12" dia.

**SLTE- GR - RI - 1P - 100 - O - F**

Basic P/N: \_\_\_\_\_

Colour (Threshold) /(Runway End): \_\_\_\_\_

- G = Green
- R = Red
- X = Screened

Toe-in\*: \_\_\_\_\_

- RI = Left
- LI = Right
- ST = Straight

Electrical System: \_\_\_\_\_

- 1P = One Plug
- 2P = Two Plug

Lamps: \_\_\_\_\_

- 100 = 1x105 W 6.6A with reflector
- 200 = 2x105 W 6.6A with reflector
- 300 = 3x105 W 6.6A with reflector

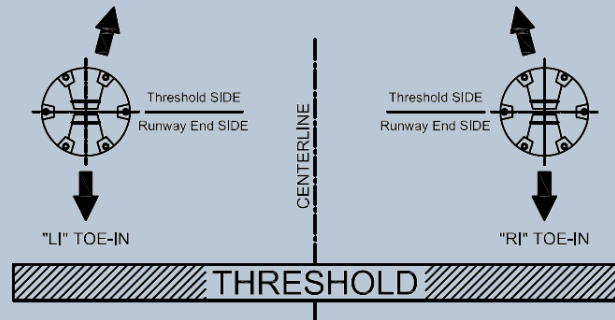
Mounting Assembly: \_\_\_\_\_

- O = No Mounting Assembly

Options: \_\_\_\_\_

- F = Fuse Cutouts

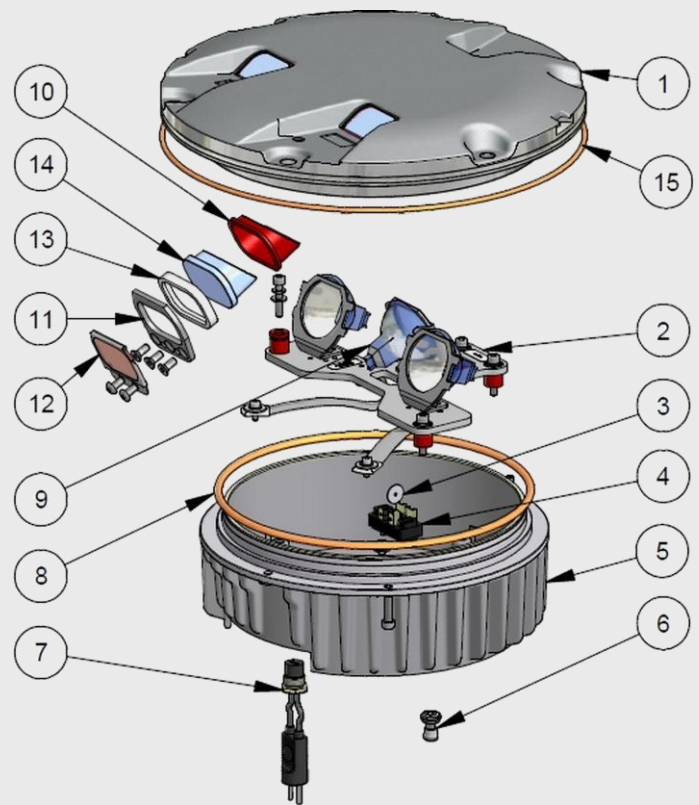
\* The beams aiming is not field adjustable



**RENEWAL PARTS FOR LIGHT UNIT**

- 1 Dome, with prisms and gaskets
- 2 Lamp supporting plate
- 3 Fuse cutout
- 4 Insulated strip with hardware
- 5 Lower cover with plug and valve
- 6 Valve for watertightness test
- 7 FAA L-823 plug
- 8 O-Ring for lower cover
- 9 Lamp
- 10 Prism gasket
- 11 Mounting plate
- 12 Filter
- 13 Nylon gasket
- 14 Prism
- 15 O-Ring for dome

Refer to the relevant technical manual for the complete list of the available spare parts

**ACCESSORIES**

- 315.1230 Base L-868 type, class IA, size B, 24" deep \*
- 315.1420 Flange ring with pavement dam for L-868 base, size B, with O-Ring and bolts
- 152.8110 Shallow base, 12" dia., one cable lead, with gasket and hardware
- 153.1110 Shallow base, 12" dia., two cable leads, with gasket and hardware
- 712.1034 Setting material for shallow base, 10 lt
- 712.1035 Quartz for shallow base, 25 kg
- 332.4301 Positioning jig for 8"-12" dia. shallow base, without optical device
- 332.4351 Optical device for positioning jig to allow a very precise light unit orientation
- 332.4330 Watertight/shockproof plastic case complete with positioning jig for base and optical device
- 332.4140 Lifting tool (2 pieces to work properly)

\* Sectional bases may be required depending upon the paving technique

For any information about isolating transformers and connectors, please see the specific catalogue pages

**Shipping Weights and Volumes**

	Light Unit	Shallow base
Weight (kg)	7.5	7.3
Volume (m <sup>3</sup> )	0.022	0.022

We reserve the right to change the design or specification data without notice

UC-PU-0094\_EN-Rev.E