

SOLAR ROAD STUD
YOUR SAFETY EYES



SR-i15



SOLAR ROAD STUD

TECHNICAL FEATURES

- Use of microcontroller technology
- Appropriate for regular traffic zones and areas of poor visibility
- Ideal for road delineation, bends/curves, crosswalks among others applications
- Rising from road surface of 12,7mm
- SLEEP mode to prevent discharge during storage / transport
- Constant brightness during all functioning period
- Protection against deep discharge of the batteries / capacitors
- High performance photovoltaic solar module
- Energy storage in super capacitors or batteries
- Internal prismatic system
- No oxidation problems
- Up to 1Km visibility distance due to high intensity led's
- Many LED's color options for all kind of applications

MODES OF OPERATION

Always On or Flashing

LED'S CONFIGURATION

Unidirectional or bidirectional

OPTICAL FEATURES

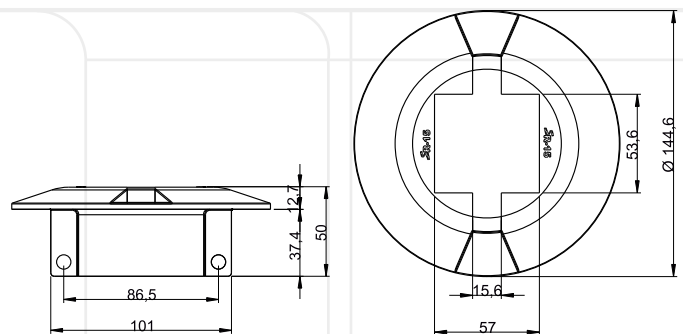
Power Supply: Battery or Capacitor
Always On: 1000h (Battery), 35 (Capacitor)
Flashing: 2500h (Battery), 70 (Capacitor)
Autonomy after full charge: 12 Months

OPTICAL FEATURES

LED's Quantity: 1 or 2 LEDs (Unidirectional), 2 or 4 LEDs (Bidirectional)
LED's Type: 5mm
LED's Color: White, Warm White, Red, Amber, Green, Blue
Viewing Angle: 15.°

MECHANICAL FEATURES

Dimensions: Ø144,6 x 50 mm
Weight: 0.5 Kg
Material: Polycarbonate
Mechanical Resistance: 60 Tons
Protection Index: IP68 and IK10



Dimensions: mm