



RCLF

INSET RUNWAY CENTRELINE AND RAPID EXIT TAXIWAY INDICATOR LIGHT (R.E.T.I.L.)



COMPLIANCES

ICAO: Annex 14 - Volume I Fig. A2-6, A2-7, A2-12

FAA: L-850A-T AC150/5345-46

IEC: TS 61827

NATO: STANAG 3316

CAA: CAP 168

IAAE: TP312

APPLICATIONS

Runway centreline for ICAO CAT I, II and III, FAA and military runways

R.E.T.I.L. ICAO and FAA RWSL, THL and RIL (L-850T) applications

Used for ICAO centreline lighting on rapid exit taxiways in special applications

BENEFITS

- 1500 hours lamp rated life at full intensity, but over 3000 hours in field operating conditions
- Significant energy saving and stable chromaticity thanks to the use of dichroic filters
- Designed and manufactured with simplicity and easy to maintain
- No use of sealant to fix the prisms in the dome thanks to customized gaskets, making their replacement quick and easy
- No optical adjustment after lamp, filter or prism replacement
- Valve for watertightness test after overhaul
- Dome temperature less than 160°C at 6.6A

PERFORMANCES

- 6.35 mm protrusion strongly reduces vibrations to aircrafts and to light itself, increasing its lifetime
- Dome smooth outer profile makes the light less sensitive to snowplough blades
- Bidirectional or unidirectional, 8" dia.
- Drop-forged dome and cast aluminium lower cover make the fitting sturdy, but lightweight too for ease handling in the field
- Light output practically not affected by heavy rainfall thanks to the shallow channel in front of the prism windows
- O-ring placed outside the dome to avoid dirt deposits between light and base
- Protection degree: IP67
- Temperature range: -55°C to +55°C

INSTALLATION

- Suitable for 8" dia. bases
- Adaptor ring for installation on 12" dia. bases
- Specific tools available for easy and precise installation

PHOTOMETRIC PERFORMANCES

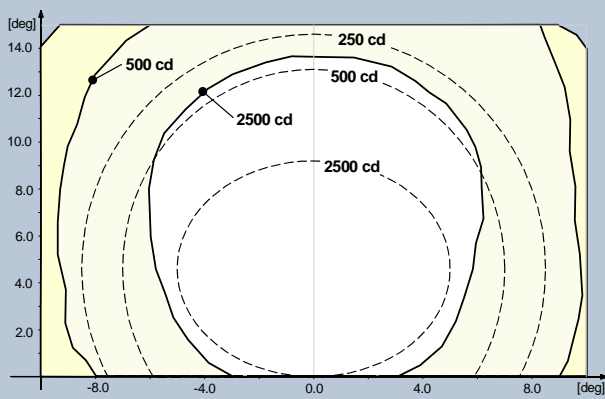


Fig. 1 ICAO A2-7 15 m– White

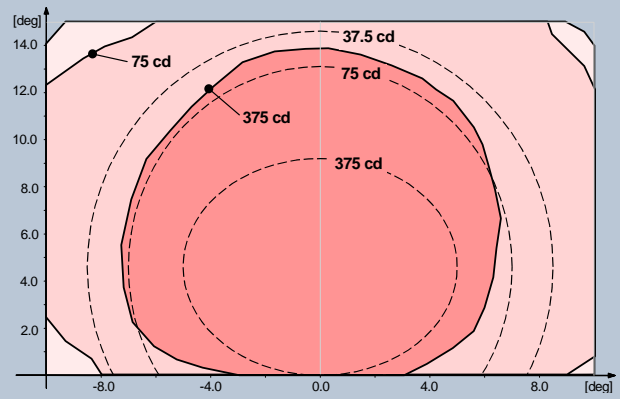


Fig. 2 ICAO A2-7 15 m– Red

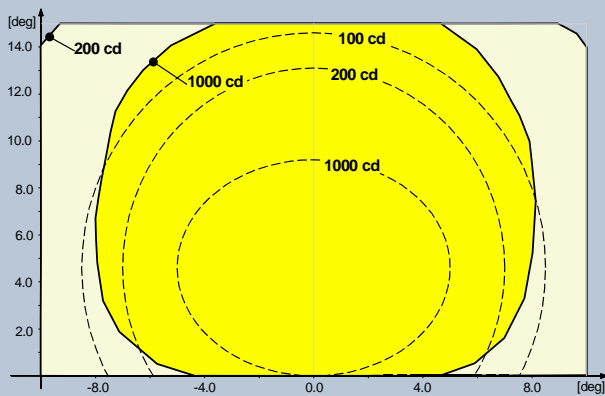


Fig. 3 ICAO A2-7 R.E.T.I.L. – Yellow

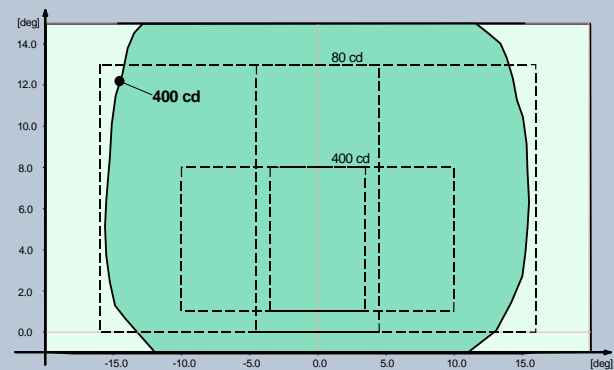


Fig. 4 ICAO A2-12 Rapid Exit Taxiway – Green

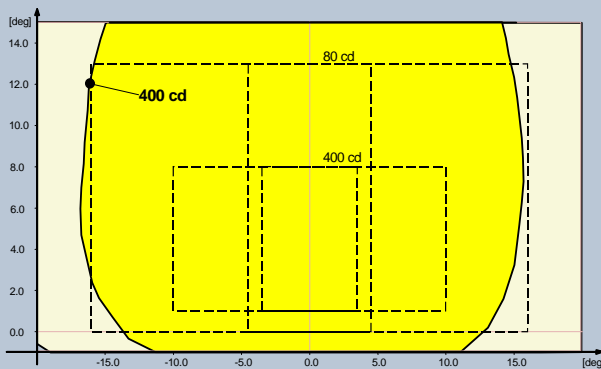
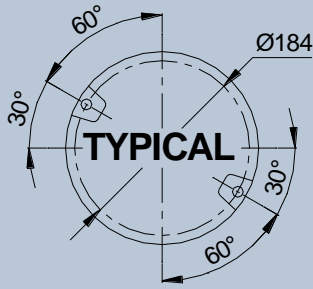
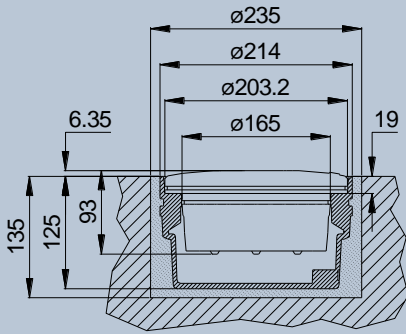


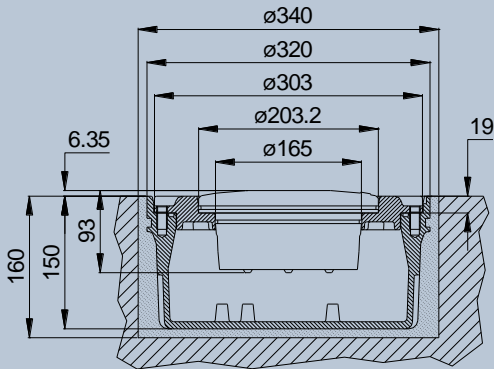
Fig. 5 ICAO A2-12 Rapid Exit Taxiway – Yellow



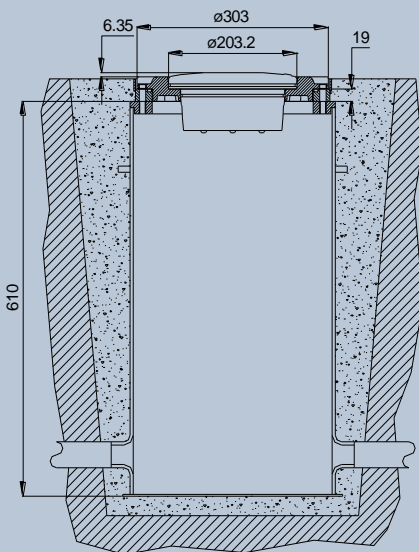
Light Fixture 8" dia.



Shallow Base 8" dia.



Shallow Base 12" dia.



L-868 Deep Base 12" dia.

RCLF- F - CC - 090 - 2P - O - F

Basic P/N: _____

Compliance: _____

I = ICAO 15 m

S = ICAO 30 m

F = FAA

T = Rapid Exit Taxiway

Colour(Side A)/(Side B): _____

C = White

R = Red

T = Red (L-850T FAA)

Y = Yellow (R.E.T.I.L. ICAO and Rapid Exit Taxiway)

G = Green (Rapid Exit Taxiway)

X = Screened

M = Blank (unidirectional dome)

Lamps: _____

045 = 1x48W 6.6A with reflector

090 = 2x48W 6.6A with reflector

100 = 1x105W 6.6A with reflector (L-850T)

Electrical System: _____

1P = One Plug

2P = Two Plugs

Mounting Assembly: _____

O = No Mounting Assembly

R = Adaptor Ring 8"-12" dia.

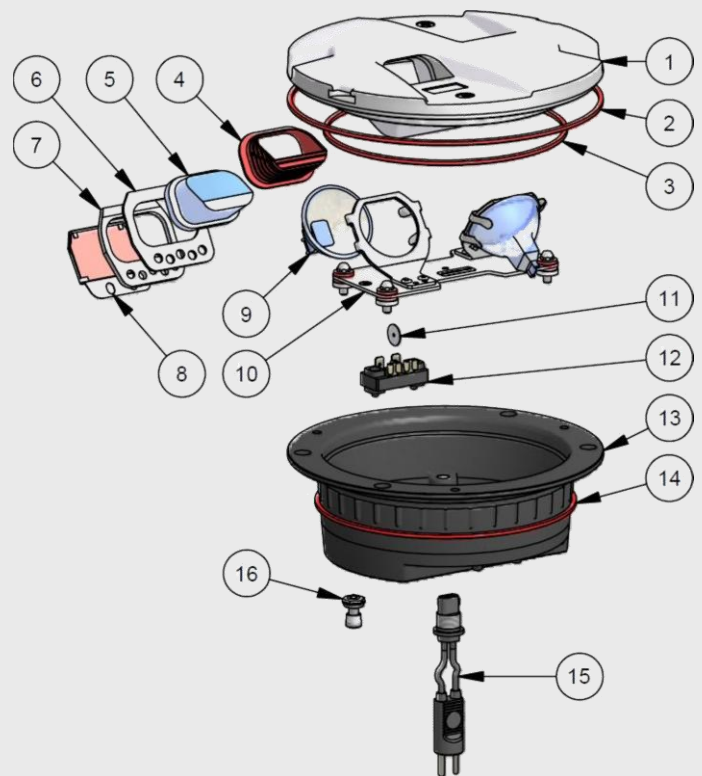
Options: _____

F = Fuse Cutouts

RENEWAL PARTS FOR LIGHT UNIT

- 1 Dome, with prisms and gaskets
- 2 O-Ring for dome
- 3 O-Ring for lower cover
- 4 Prism Gasket
- 5 Prism
- 6 Teflon gasket
- 7 Mounting plate
- 8 Filter
- 9 Lamp
- 10 Lampholder
- 11 Fuse cutout
- 12 Insulated strip with hardware
- 13 Lower cover with plug and valve
- 14 O-Ring for base
- 15 FAA L-823 plug
- 16 Valve for watertightness test

Refer to the relevant technical manual for the complete list of the available spare parts

**ACCESSORIES**

- 315.1230 Base L-868 type, class IA, size B, 24" deep *
- 315.1420 Flange ring with pavement dam for L-868 base, size B, with Oring and bolts
- 152.5251 Shallow base, 8" dia., one cable lead, with hardware
- 152.5261 Shallow base, 8" dia., two cable leads, with hardware
- 152.8110 Shallow base, 12" dia., one cable lead, with gasket and hardware
- 153.1110 Shallow base, 12" dia., two cable leads, with gasket and hardware
- 152.6116 Adaptor Ring 8"-12" dia. complete with hardware
- 712.1034 Setting material for shallow base, 10 lt
- 712.1035 Quartz for shallow base, 25 kg
- 332.4301 Positioning jig for 8"-12" dia. shallow base, without optical device
- 332.4351 Optical device for positioning jig to allow a very precise light unit orientation
- 332.4330 Watertight/shockproof plastic case complete with positioning jig for base and optical device
- 332.4140 Lifting tool (2 pieces to work properly)

* Sectional bases may be required depending upon the paving technique

For any information about isolating transformers and connectors, please see the specific catalogue pages

Shipping Weights and Volumes

	Light Unit	Shallow base	Light Unit & Adaptor Ring
Weight (kg)	2.9	3.2	6.05
Volume (m ³)	0.007	0.007	0.013

We reserve the right to change the design or specification data without notice

UC-PU-0083_EN-Rev.D