

# PAPI

## PRECISION APPROACH PATH INDICATOR



### COMPLIANCES

**ICAO:** Annex 14 - Volume I para 5.3.5 and Aerodrome Design Manual – Part 4

**NATO:** STANAG 3316

### APPLICATIONS

The PAPI system provides the pilot a positive visual indication of the aircraft position in respect to the optimal glide slope during the final approach to the runway.

An airport PAPI system generally consists of four units in a line or bar, preferably located on the left side of the runway; each unit is equipped with two lamps (ICAO Annex 14) or three lamps (ICAO Aerodrome Design Manual - NATO Stanag). If required, a second bar can be symmetrically installed on the other side of the runway. Each PAPI unit produces a beam of light, the upper portion being white, the lower red, with a sharp transition. When a pilot is flying close to the nominal approach slope, the two units closer to the runway appear red and the two outer appear white; if the pilot follows greater angles the number of white units increases, while for lower angles the number of red units increases.

### BENEFITS

- 1000 hours lamp rated life at full intensity, but over 3000 hours in field operating conditions
- All the units are identical each to other and are properly setted on site according to the specific slope angle
- Simple and quick installation

### PERFORMANCES

- Body consisting of an aluminium sheet box with a front panel for lenses and two inner panels for filters and reflectors
- Four supporting columns for maximum stability, each including an aluminium leg with breakable groove, to assure the frangibility of the unit in case of impact, and an upper stainless steel threaded rod, to allow the precise adjustment ( $\pm 30$  mm) in elevation and the fine levelling of the box. The legs are available of different lengths to compensate ground gradients
- Aluminium top cover, removable, locked to the body by means of two padlockable fasteners
- One cable lead for each lamp
- Optional protective front glass
- On request, each cable lead can be supplied complete with a galvanized steel flexible pipe, PVC sheathed, for mechanical protection
- Protection degree: IP44
- Temperature range:  $-55^{\circ}\text{C}$  to  $+55^{\circ}\text{C}$

### INSTALLATION

- On concrete platform by means of threaded anchors or floor flanges: a positioning jig can be supplied for their precise installation
- A linear level and a clinometer are available for precise unit levelling and aiming respectively

### PHOTOMETRIC PERFORMANCES

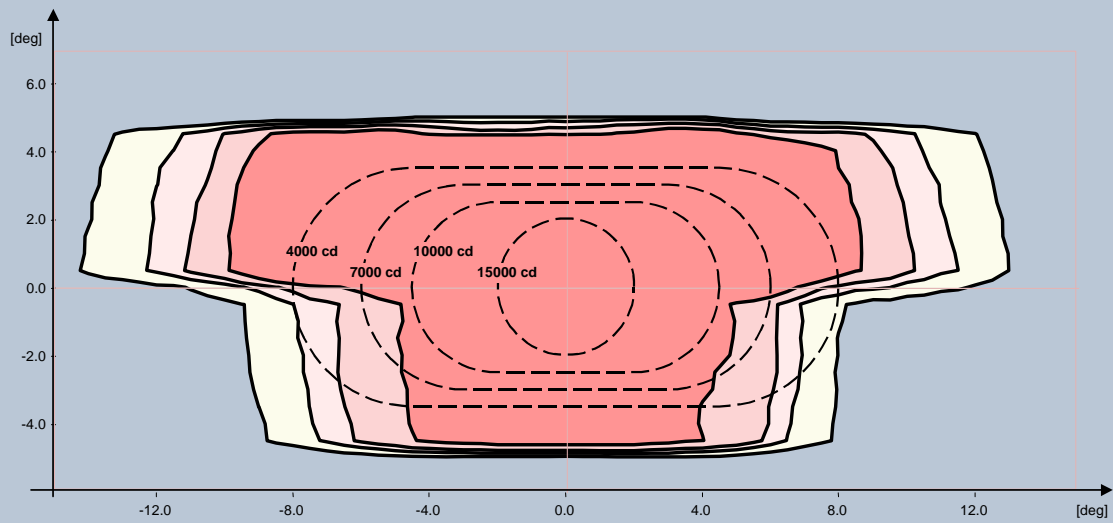


Fig. 1 OACI A2-23 – White/Red

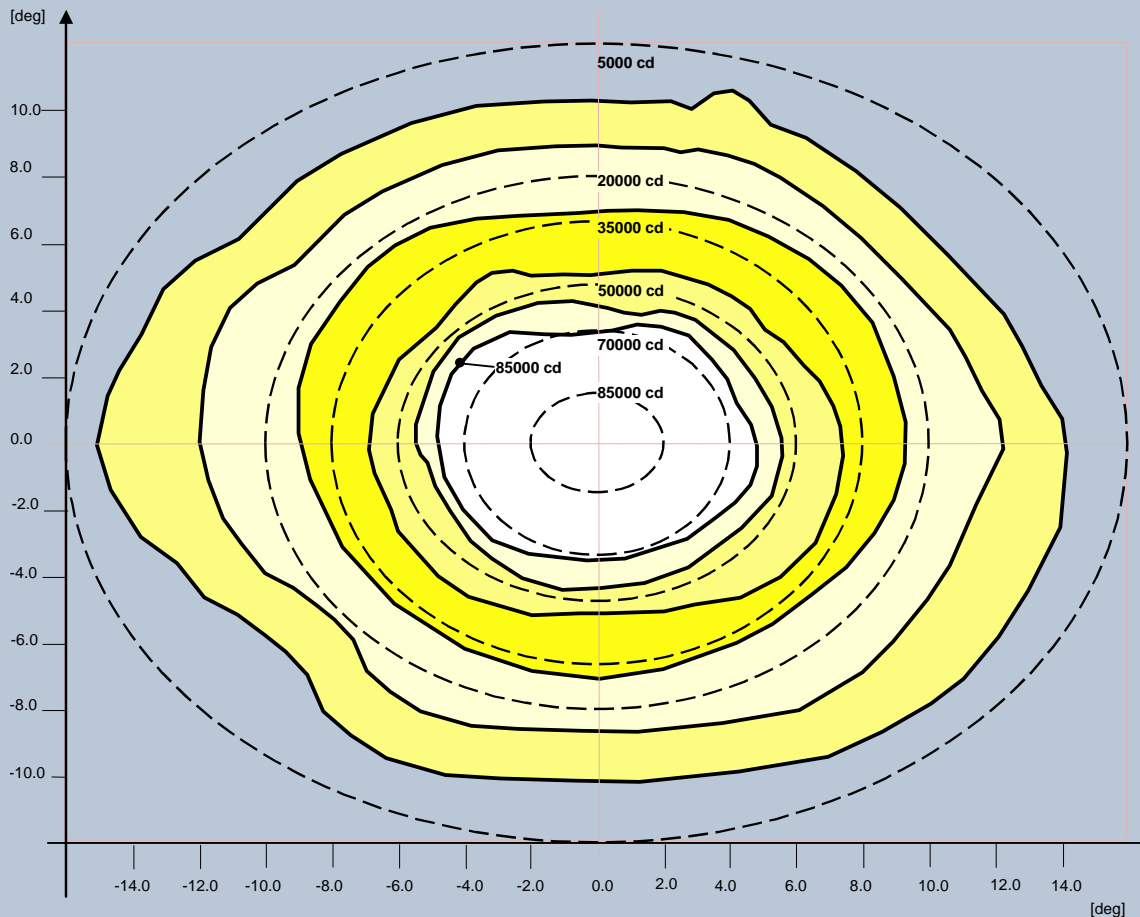
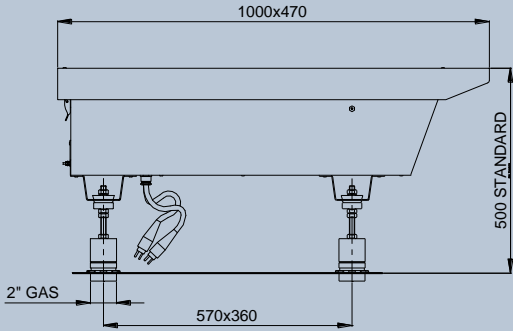
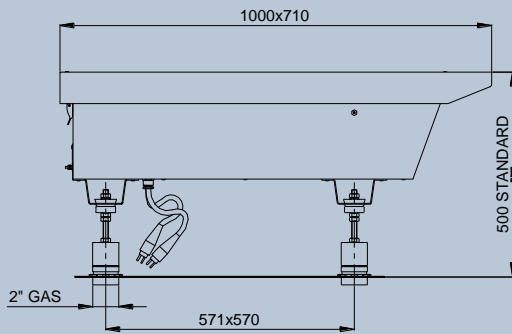


Fig. 2 NATO A1 – White



Overall Dimensions 401CU-2



Overall Dimensions 401CU-3 e 401MU-3

**401CP - 2 - 20 - 16**

**Basic P/N:** \_\_\_\_\_

**Application:** \_\_\_\_\_

C = ICAO  
M = NATO\*

**System:** \_\_\_\_\_

P = PAPI System (4 units)  
A = APAPI System (2 units)  
U = Single Unit (1 unit)

**Number of Lamps:** \_\_\_\_\_

2 = Two Lamps per Units  
3 = Three Lamps per Units

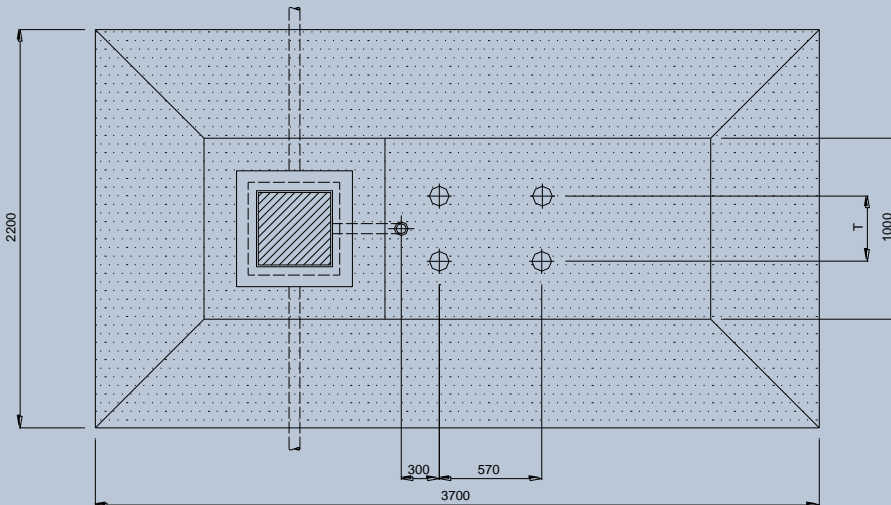
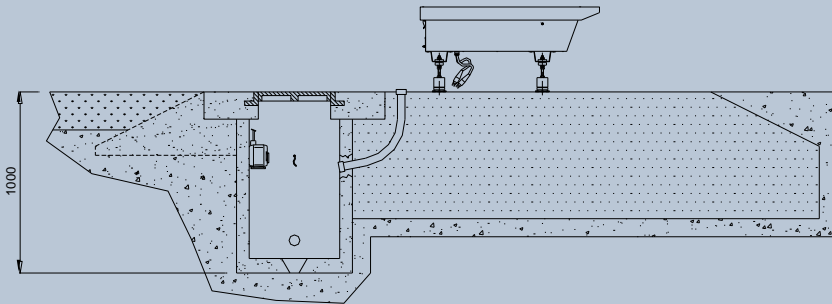
**Lamps:** \_\_\_\_\_

20 = 200W 6.6A PK 30/d

**Options:** \_\_\_\_\_

16 = Protective Front Glass  
18 = Flexible Pipes for Cable Lead Protection  
ANT= Anti-condensation heater

\* Only Three-Lamp Type



PAPI	401CU-2	401CU-3	401MU-3
T	360	570	570

**RENEWAL PARTS FOR LIGHT UNIT**

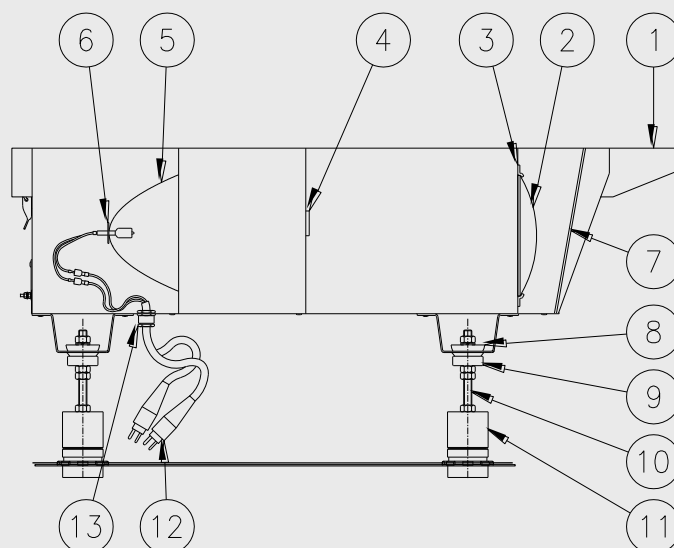
- 1 Top cover
- 2 Optical glass front lens
- 3 Lens ring
- 4 Tempered glass red filter
- 5 Reflector with lampholding plate
- 6 Lamp
- 7 Front glass
- 8 Spherical counterjoint for supporting column
- 9 Spherical joint for supporting column
- 10 Threaded rod
- 11 Leg with breakable groove
- 12 Cable lead with plug
- 13 Cable gland

Refer to the relevant technical manual for the complete list of the available spare parts

**ACCESSORIES**

- |          |   |
|----------|---|
| 315.4100 | Threaded anchor 2"-11 GAS   |
| 303.7350 | Threaded floor flange 2"-11 GAS   |
| 013.0008 | Galvanized steel pipe elbow with upper threaded end only (2" - 11 GAS thread)                     |
| 315.3210 | Galvanized steel pipe elbow with both threaded ends (2" - 11 GAS thread)                          |
| 013.0010 | Set of two ryton rings for receptacle support inside pipe elbow                                   |
| 315.1228 | Base L-867, Class IA, Size B, 24" Deep  |
| 013.0023 | Two threaded opening baseplate for L-867 base, with gasket and cable clamp (2" - 11 GAS thread)   |
| 013.0024 | Three threaded opening baseplate for L-867 base, with gasket and cable clamp (2" - 11 GAS thread) |
| 332.3300 | Positioning jig for threaded anchors for airport 2-lamp unit                                      |
| 332.3420 | Positioning jig for threaded anchor for airport 3-lamp unit                                       |
| 738.2007 | Linear level  |
| 332.3390 | Clinometer  |
| 334.5900 | Breakable leg, 145 mm long  |
| 334.5905 | Breakable leg, 195 mm long  |
| 334.5910 | Breakable leg, 245 mm long  |
| 334.5915 | Breakable leg, 295 mm long  |
| 334.5920 | Breakable leg, 345 mm long  |
| 334.5925 | Breakable leg, 395 mm long  |
| 334.5930 | Breakable leg, 445 mm long  |
| 334.5935 | Breakable leg, 495 mm long  |
| 334.5940 | Breakable leg, 545 mm long  |
| 334.5945 | Breakable leg, 595 mm long  |
| 334.5950 | Breakable leg, 645 mm long  |

For any information about isolating transformers and connectors, please see the specific catalogue pages

**Shipping Weights and Volumes**

Type	2-lamp PAPI unit	3-lamp PAPI unit
Weight (kg)	19	29
Volume (m <sup>3</sup> )	0.220	0.330

We reserve the right to change the design or specification data without notice

UC-PU-0066\_EN-Rev.D