



# LITE

## LED INSET TAXIWAY EDGE LIGHT



### COMPLIANCES

**ICAO:** Annex 14 - Volume I par. 5.3.18.8  
**FAA:** L-852T(L) AC150/5345-46 and EB No.67  
**IEC:** TS 61827  
**NATO:** STANAG 3316  
**CAA:** CAP 168  
**IAAE:** TP312

### APPLICATIONS

Taxiway edge for ICAO, FAA and military taxiways

### BENEFITS

- 60000 hours LED rated life at full intensity, but over 100000 hours in field operating conditions
- In new installation, LED lights mean lower loads, lower size of CCRs and transformers, thus low life cycle costs
- The light output is variable like a traditional halogen lamp, as indicated by the FAA "Engineering Briefing No.67"
- Colour emitted directly by LEDs: absence of coloured filters ensures no energy losses and no colour shifts
- Fully compatible with existing AFL infrastructure\*
- Designed with simplicity allowing longer maintenance intervals and fewer spare parts
- No use of sealant to fix the lens in the dome thanks to customized gasket, making its replacement quick and easy
- No optical adjustment after LED module or lens replacement
- Valve for watertightness test after overhaul
- Operating with any topology of CCRs designed in compliance with IEC or FAA requirements

\* For monitored fixtures, isolation transformer max size: 200VA

### PERFORMANCES

- The electronic is strong-built and highly resistant to shock and vibration
- Automatic adaptation to the frequency of the supply current
- A surge protection device is provided in the electronics as required by the FAA "Engineering Briefing No.67"
- Immediate detection of an internal fault
- 6.35 mm protrusion strongly reduces vibrations to aircrafts and to light itself, increasing its lifetime
- Omnidirectional, 8" or 12" dia.
- Drop-forged dome and cast aluminium lower cover make the fitting sturdy, but lightweight too for ease handling in the field
- Light output not affected by heavy rainfall thanks to the flat surface of the dome
- O-Ring placed outside the dome to avoid dirt deposits between light and base
- Protection degree: IP67
- Temperature range: -55°C to +55°C

### INSTALLATION

- Suitable for 8" or 12" dia. bases
- Adaptor ring for 8" light installation on 12" dia. bases
- Specific tools available for easy and precise installation

### PHOTOMETRIC PERFORMANCES

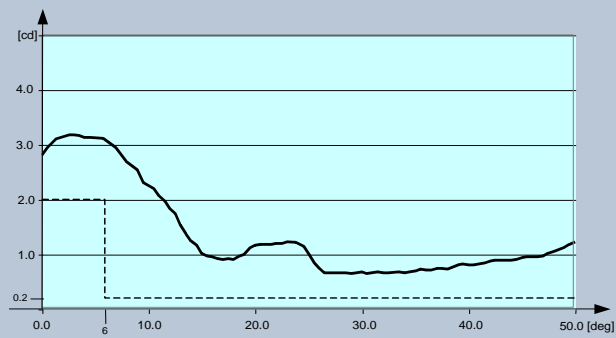


Fig. 1 ICAO par. 5.3.18.8 and FAA L-852T – Blue

### TABLES

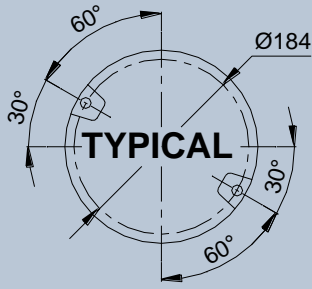
#### POWER CONSUMPTION\*

Electrical System	1 Plug
Omnidirectional 8"-12" (w/o Arctic Kit)	8 VA
Omnidirectional 8" (with Arctic Kit)	28 VA
Omnidirectional 12" (with Arctic Kit)	48 VA

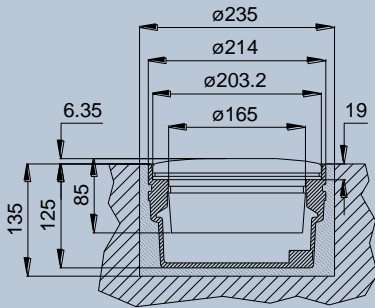
\* Measured at 6.6 A and referred to the highest consumption configuration

#### POWER FACTOR

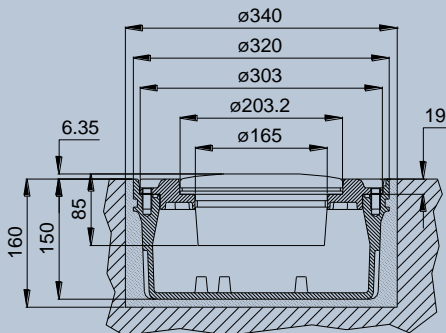
Input Step	2.8 A	6.6 A
Power Factor	0.96	0.98



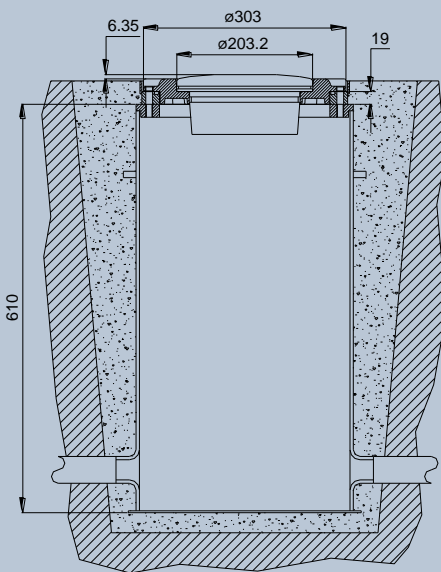
Light Fixture 8" dia.



Shallow Base 8" dia.



Shallow Base 12" dia.



L-868 Deep Base 12" dia.

**LITE 08 - F - 0 - M - A**

**Basic P/N:** \_\_\_\_\_

**Bolt Circle Diameter:** \_\_\_\_\_

08 = Suitable for 8" Shallow Base and  
8" L-868B Deep Base

17 = Suitable for 12" L-867B Deep Base

18 = Suitable for 12" Shallow Base and  
12" L-868B Deep Base

**Compliance:** \_\_\_\_\_

I = ICAO - IEC

S = STANAG

F = FAA

**Mounting Assembly:** \_\_\_\_\_

0 = No Mounting Assembly

R = Adaptor Ring 8"-12" dia.

**Monitoring:** \_\_\_\_\_

0 = Without Monitoring

M = With Monitoring

**Arctic Kit:** \_\_\_\_\_

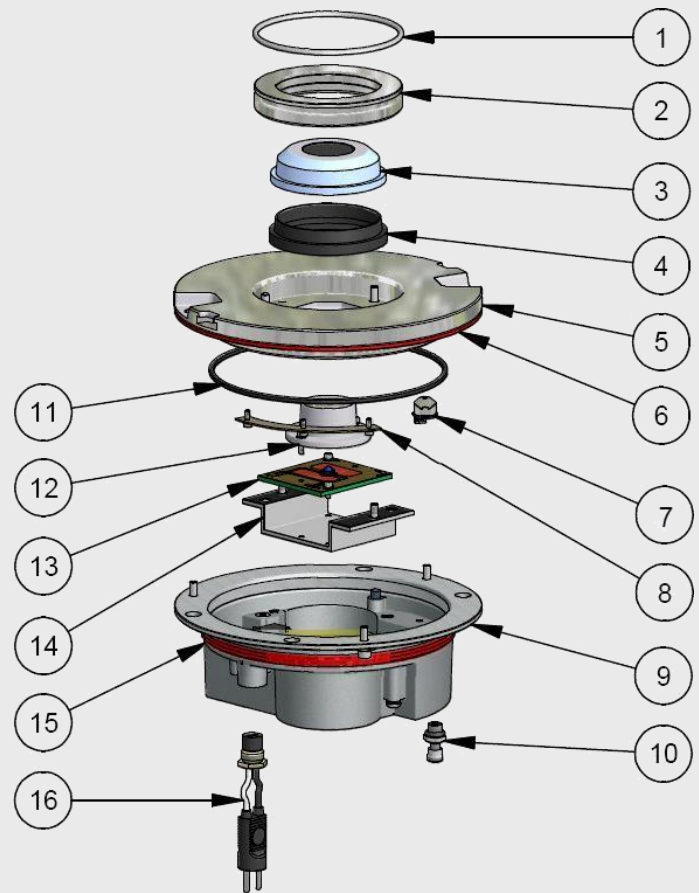
0 = Without Arctic Kit

A = With Arctic Kit

**RENEWAL PARTS FOR LIGHT UNIT**

- 1 O-Ring for aluminium lens holder
- 2 Aluminium lens holder
- 3 Lens
- 4 Lens gasket
- 5 Dome with lens and gaskets
- 6 O-Ring for dome
- 7 Arctic Kit thermostat
- 8 Arctic Kit heater
- 9 Lower cover with electronic, plug and valve
- 10 Valve for watertightness test
- 11 O-Ring for lower cover
- 12 Reflector with hardware
- 13 LED module with accessories
- 14 LED module support with hardware
- 15 Lower cover gasket
- 16 FAA L-823 plug

Refer to the relevant technical manual for the complete list of the available spare parts

**ACCESSORIES**

- |          |   |
|----------|---|
| 315.1228 | Base L-867, Class IA, size B, 24" Deep                                      |
| 315.1230 | Base L-868 type, class IA, size B, 24" deep *                               |
| 315.1420 | Flange ring with pavement dam for L-868 base, size B, with O-Ring and bolts |
| 152.5251 | Shallow base, 8" dia., one cable lead, with hardware                        |
| 152.8110 | Shallow base, 12" dia., one cable lead, with gasket and hardware            |
| 152.6116 | Adaptor Ring 8"-12" dia. complete with hardware                             |
| 712.1034 | Setting material for shallow base, 10 lt                                    |
| 712.1035 | Quartz for shallow base, 25 kg  |
| 332.4301 | Positioning jig for 8"-12" dia. shallow base, without optical device        |
| 332.4140 | Lifting tool (2 pieces to work properly)                                    |

\* Sectional bases may be required depending upon the paving technique

For any information about isolating transformers and connectors, please see the specific catalogue pages

**8" Shipping Weights and Volumes**

	Light Unit	Shallow Base	Light Unit & Adaptor Ring
Weight (kg)	3.0	3.2	6.15
Volume (m <sup>3</sup> )	0.007	0.007	0.013

**12" Shipping Weights and Volumes**

	Light Unit	Shallow Base
Weight (kg)	5.0	7.3
Volume (m <sup>3</sup> )	0.022	0.022

We reserve the right to change the design or specification data without notice

UC-PU-0261\_EN-Rev.C