



LIGS

LED LUMINOUS GUIDANCE SIGN



COMPLIANCES

ICAO: Annex 14 - Volume I para 5.4

EASA: CS-ADR-DSN

NATO: STANAG 3316

APPLICATIONS

LIGS guidance signs, inside lighted, are designed for use on airport taxiways and runways to mark taxi routes and intersections, by day and by night. Colours may be black on yellow, yellow on black, or white on red depending on the application as defined by ICAO. IGS signs may be used as guidance markers in compliance with STANAG Specs

BENEFITS

- Message on one or both faces
- Modular design with uniform leg spacing
- Two barrettes of 12 LEDs per module, located in the upper part of the sign for optimum illuminance of both the faces
- No inner reflector needed to obtain the photometric performances required by the specifications
- Power supply from series circuits through isolating transformers. See TABLE C for isolating transformer choice
- Fully compatible with existing AFL infrastructure
- Operating with any topology of CCRs designed in compliance with IEC or FAA requirements
- Constant average sign luminance (widely exceeding ICAO Specs) at any series current step from 2.8 A through 6.6 A

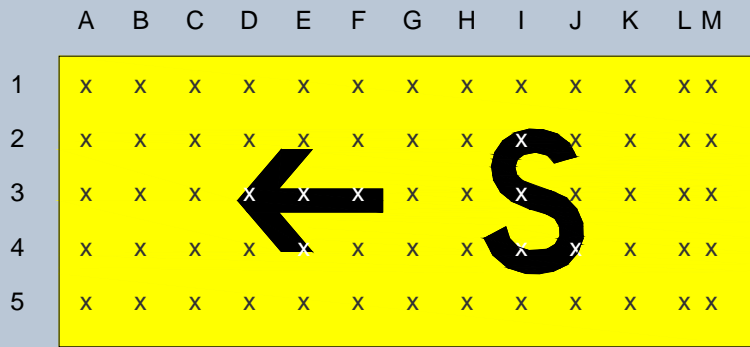
FEATURES AND PERFORMANCES

- Designed in compliance with FAA AC 150/5345-44
- Structural integrity assured by extruded aluminium panels
- Matt black external finishing
- Metric stainless steel hardware
- Long life, UV and abrasion resistant sign faces with messages realized by means of translucent adhesive coloured sheets, inside applied
- Breakable couplings may be pre-installed on concrete pad and sign lowered onto them for easy installation
- Enclosed power entry through protective flexible pipe
- External power disconnecting switch breaks all electrical connections to the sign for safe maintenance
- Wind speed: 322 km/h (mode 2 - FAA AC 150/5345-44)
- Protection degree: IP34; IP55 on request
- Temperature range: -40°C to +55°C
- On request, it is available a reinforced version to withstand 483 km/h (mode 3 - FAA AC 150 / 5345-44)

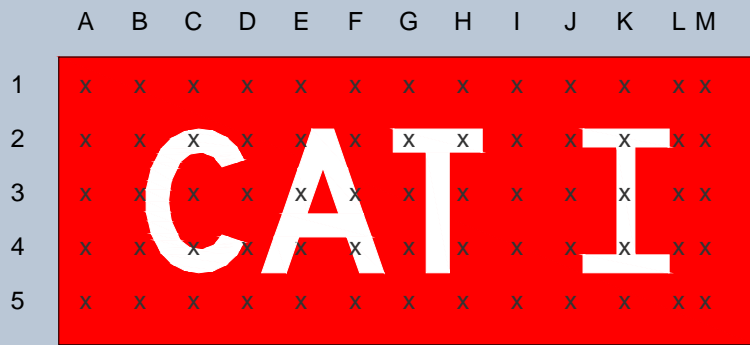
INSTALLATION

- On concrete platform by means of floor flanges

PHOTOMETRIC PERFORMANCES



	A	B	C	D	E	F	G	H	I	J	K	L	M
1	207	228	246	252	233	219	174	214	225	237	225	205	191
2	237	267	305	350	338	297	241	254		276	279	261	241
3	243	280	304		335	301	246	262		280	284	256	233
4	209	236	252	257	242	237	209	225	233		232	207	192
5	190	208	226	230	220	213	189	206	213	219	204	178	167



	A	B	C	D	E	F	G	H	I	J	K	L	M
1	32	37	42	42	40	35	25	33	37	39	39	36	33
2	39	51		55	55	44			49	52		49	43
3	45	62	63	63			37	50	58	61		55	49
4	32	42		48	48		32	36	41	43		39	34
5	30	35	39	40	37	31	30	32	34	35	34	31	28

TABLE A – POWER REQUIRED TO REGULATOR

	Number of Modules			
	1	2	3	4
6.6 A	47 VA	83 VA	128 VA	164 VA
4.8 - 6.6 A	64 VA	114 VA	176 VA	226 VA
2.8 - 6.6 A	110 VA	196 VA	302 VA	388 VA

TABLE B – POWER FACTOR

Current in the series circuit	6,6A	4,8-6,6A	2,8-6,6A
Power Factor	≥ 0,90	≥ 0,90	≥ 0,90

For a correct sizing of the regulator the losses of the complete circuit have to be taken into account.

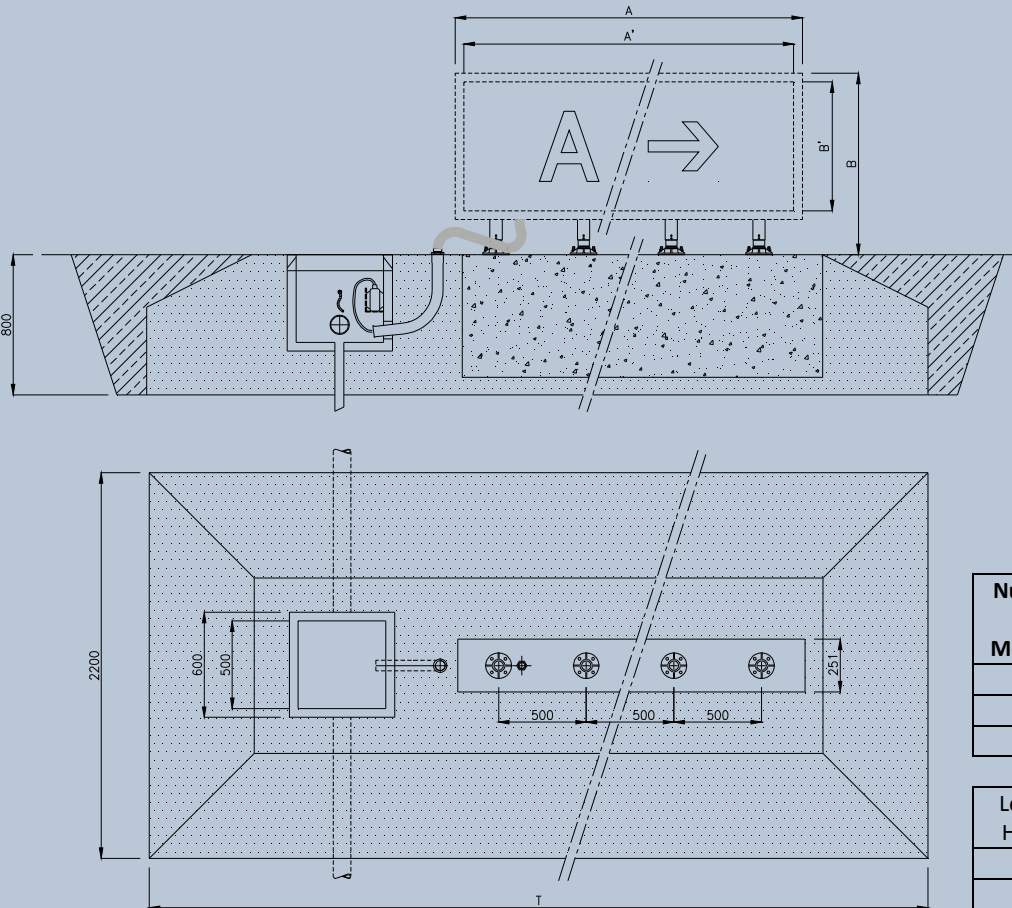
LIGS01- 32 - 1 - 01

- Basic P/N:** _____
- Message Size:** _____
 3 = 300 mm Legend Height
 4 = 400 mm Legend Height
- Number of Faces:** _____
 1 = Single Face
 2 = Double Face
- Number of Modules:** _____
 1 to 4
- Options:** _____
 01 = Tether
 10 = Monitoring
 18 = Double power supply for 4 module signs
 48 = Reinforced version FAA-mode 3 (483 km/h)
 55 = Protection degree IP55
 69 = Orange rear side for single face signs
 70 = Bird Spikes
 71 = ON-OFF Key switch

- Maximum of (4) Modules for sign. Take note that 4 module signs are not conforming to the recommendations of ICAO Aerodrome Design Manual - Part 6 (maximum length of the signs 3m). If the message cannot be included in a sign only, two signs may be co-located
- To determine the exact number of modules to fit your message, contact OCEM ET
- Floor flanges included; anchor bolts not included
- The colours of the sign face and the legends must be specified for each sign
- Multiple messages and colours may appear on a sign face
- When facing side A, the power entry is on the right

TABLE C – ISOLATION TRANSFORMERS

	Number of Modules			
	1	2	3	4
6.6 A	65 W	100 W	150 W	200 W
4.8 - 6.6 A	100 W	150 W	300 W	300 W
2.8 - 6.6 A	150 W	300 W	400 W	500 W



The drawing of the installation is valid for standard signs only
 For signs with option 48 (reinforced version), contact OCEM ET for full details

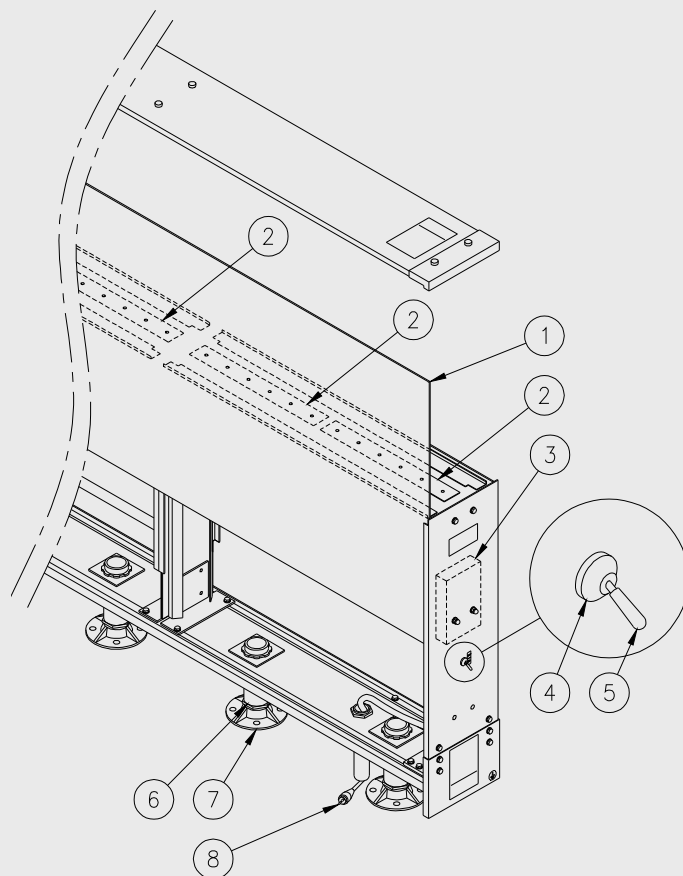
Number of Modules	1	2	3	4
A	991	1976	2961	3946
A'	955	1940	2925	3910
T	3366	4351	5336	6321

Legend Height	300	400
B	838	1038
B'	600	800

RENEWAL PARTS FOR LIGHT UNIT

- 1 Face panel
- 2 LED card F189
- 3 Power supply card F209
- 4 Rubber cap for switch
- 5 ON-OFF Switch
- 6 Breakable coupling
- 7 Floor flange
- 8 Cable lead with plug

Refer to the relevant technical manual for the complete list of the available spare parts

**ACCESSORIES**

- 013.0008 Galvanized steel pipe elbow with upper threaded end only (2" - 11 GAS thread)
- 315.3210 Galvanized steel pipe elbow with both threaded ends (2" - 11 GAS thread)
- 013.0010 Set of two ryton rings for receptacle support inside pipe elbow
- 315.1228 Base L-867, Class IA, Size B, 24" Deep
- 315.1062 Baseplate for L-867 base with gasket and cable clamp (2" - 11 GAS thread)
- 315.4150 M12x60 anchoring rod, 250 mm long, complete with hardware(4 pieces for each floor flange)

For any information about isolating transformers and connectors, please see the specific catalogue pages

**Signs Legend H=300 mm
Shipping Weights and Volumes**

Type	1M	2M	3M	4M
Weight (kg)	43	74	108	133
Volume (m ³)	0.300	0.570	0.840	1.110

**Signs Legend H=400 mm
Shipping Weights and Volumes**

Type	1M	2M	3M	4M
Weight (kg)	48	82	119	148
Volume (m ³)	0.350	0.680	1.010	1.350

We reserve the right to change the design or specification data without notice

UC-PU-0202_EN-Rev.I