

LHI

LED INSET HELIPOINTS LIGHT



COMPLIANCES

ICAO: Annex 14 - Volume II

IEC: TS 61827

NATO: STANAG 3619

APPLICATIONS

ICAO helipad surfaces

BENEFITS

- 60000 hours LED rated life at full intensity, but over 100000 hours in field operating conditions
- 6.35 mm protrusion
- Colour emitted directly by LEDs: absence of coloured filters ensures no energy losses and no colour shifts
- Designed with simplicity allowing longer maintenance intervals and fewer spare parts
- No use of sealant to fix the lens in the dome thanks to customized gasket, making its replacement quick and easy
- No optical adjustment after LED module or lens replacement
- Valve for watertightness test after overhaul

PERFORMANCES

- The electronic is strong-built and highly resistant to shock and vibration
- Omnidirectional, 8" dia.
- Drop-forged dome and cast aluminium lower cover make the fitting sturdy, but lightweight too for ease handling in the field
- Light output not affected by heavy rainfall thanks to the flat surface of the dome
- O-Ring placed outside the dome to avoid dirt deposits between light and base
- Protection degree: IP67
- Temperature range: -55°C to +55°C

INSTALLATION

- Suitable for 8" dia. bases
- Adaptor ring for 8" light installation on 12" dia. bases
- Specific tools available for easy and precise installation

PHOTOMETRIC PERFORMANCES

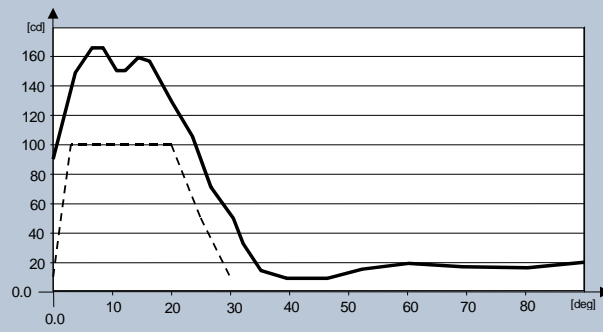


Fig. 1 ICAO fig. 5.9 Illustration 5 FATO – White

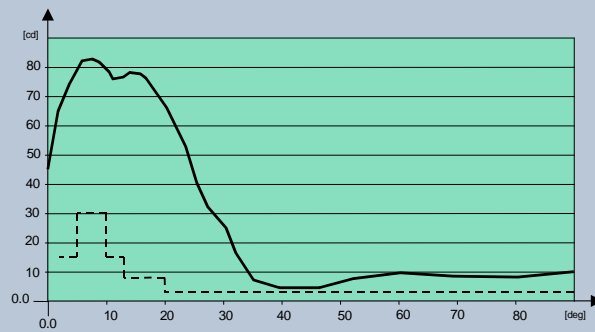
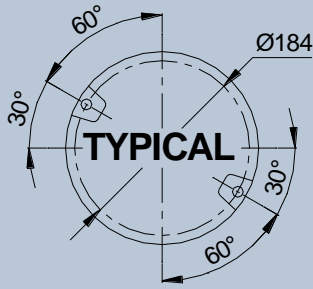


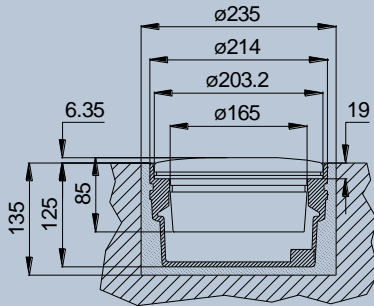
Fig. 2 ICAO fig. 5.9 Illustration 6 TLOF – Green

TABLES

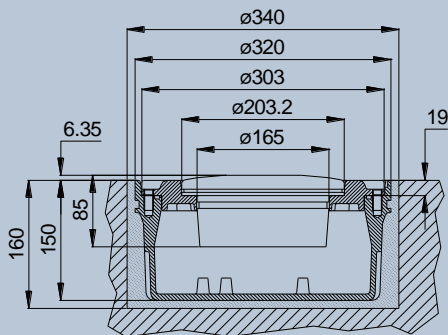
POWER CONSUMPTION	
Electrical System	1 Plug
Series Circuit (white)	20 VA
Series Circuit (green, yellow)	12 VA
Parallel Circuit (white)	42 VA
Parallel Circuit (green, yellow)	21 VA



Light Fixture 8" dia.



Shallow Base 8" dia.



Shallow Base 12" dia.

LHI - I - W - D - 0 - 0

Basic P/N: _____

Compliance: _____

I = ICAO - IEC

S = STANAG

Colour: _____

W = White

G = Green

Y = Yellow

Mode: _____

S = Series Circuit

D = Parallel Circuit 48 V

Mounting Assembly: _____

0 = No Mounting Assembly

Arctic Kit: _____

0 = Without Arctic Kit

Colour Selection				
SPECS	USE	COLOUR		
		WHITE	GREEN	YELLOW
ICAO	FATO and Aiming Point	X		
ICAO	TLOF Heliport Edge		X	
STANAG	TLOF Heliport Edge			X
STANAG	Landing Direction			X

RENEWAL PARTS FOR LIGHT UNIT

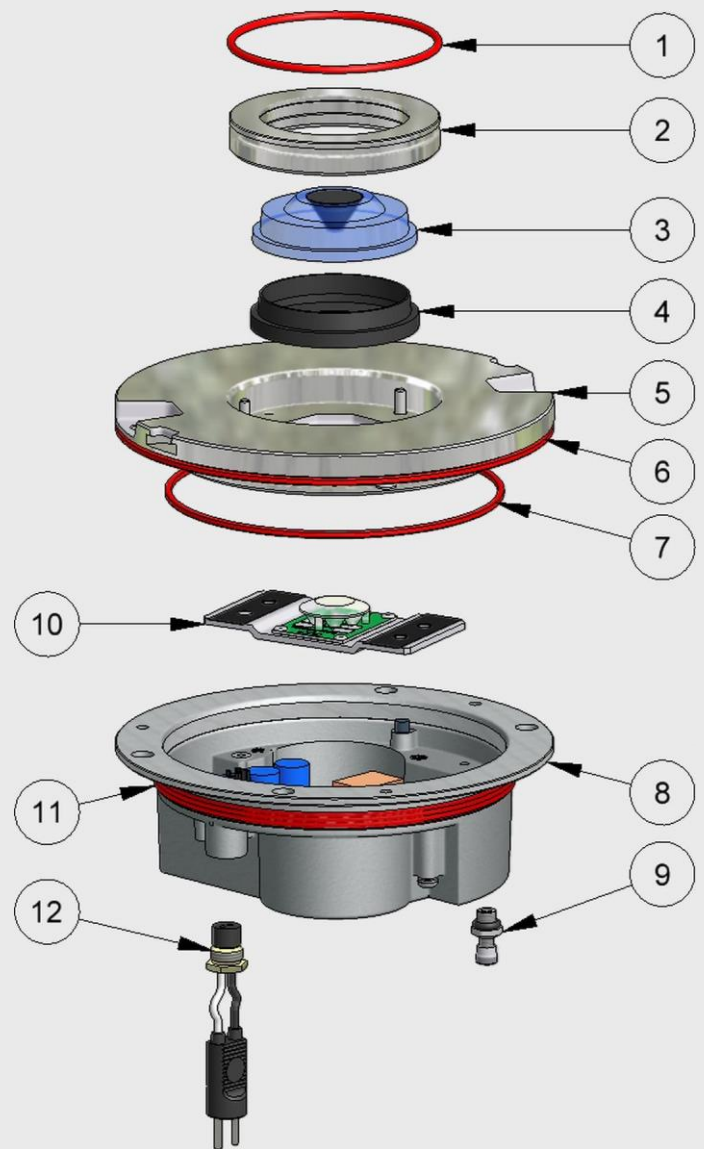
- 1 O-Ring for aluminium lens holder
- 2 Aluminium lens holder
- 3 Lens
- 4 Lens gasket
- 5 Dome with lens and gaskets
- 6 O-Ring for dome
- 7 O-Ring for lower cover
- 8 Lower cover with electronic, plug and valve
- 9 Valve for watertightness test
- 10 LED module with accessories
- 11 Lower cover gasket
- 12 FAA L-823 plug

Refer to the relevant technical manual for the complete list of the available spare parts

ACCESSORIES

- | | |
|----------|--|
| 011.1521 | Transformer for parallel circuits 25W 230/48V |
| 011.1523 | Transformer for parallel circuits 50W 230/48V |
| 152.5251 | Shallow base, 8" dia., one cable lead, with hardware |
| 152.8110 | Shallow base, 12" dia., one cable lead, with gasket and hardware |
| 152.6116 | Adaptor Ring 8"-12" dia. complete with hardware |
| 712.1034 | Setting material for shallow base, 10 lt |
| 712.1035 | Quartz for shallow base, 25 kg |
| 332.4301 | Positioning jig for 8"-12" dia. shallow base, without optical device |
| 332.4140 | Lifting tool (2 pieces to work properly) |

For any information about isolating transformers and connectors, please see the specific catalogue pages

**Shipping Weights and Volumes**

	Light Unit	Shallow Base
Weight (kg)	3.0	3.2
Volume (m³)	0.007	0.007

We reserve the right to change the design or specification data without notice

UC-PU-0217_EN-Rev.H