



LHE

LED ELEVATED HELIPOINTS LIGHT



COMPLIANCES

ICAO: Annex 14 - Volume II

IEC: TS 61827

NATO: STANAG 3619

APPLICATIONS

ICAO helipad surfaces

BENEFITS

- 60000 hours LED rated life at full intensity, but over 100000 hours in field operating conditions
- Colour emitted directly by LEDs: absence of coloured lenses ensures no energy losses and no colour shifts
- Designed with simplicity allowing longer maintenance intervals and fewer spare parts
- Customized lens gasket to avoid the use of sealing
- No optical adjustment after LED module or lens replacement

PERFORMANCES

- The electronic is strong-built and highly resistant to shock and vibration
- Lightweight and sturdy due to aluminium die-castings
- Powder coating surface finishing to provide good corrosion resistance
- Body balanced on the slipfitter for proper levelling by means of three screws
- High jet blast resistance due to the small size of the fixture, 250 mm high
- Protection degree: IP67
- Temperature range: -55°C to +55°C

INSTALLATION

- The fixture can be installed on pipe elbow or baseplate
- Specific tools available for easy and precise installation

PHOTOMETRIC PERFORMANCES

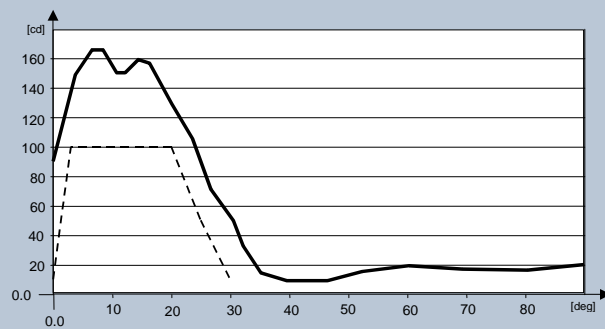


Fig. 1 ICAO fig. 5.9 Illustration 5 FATO – White

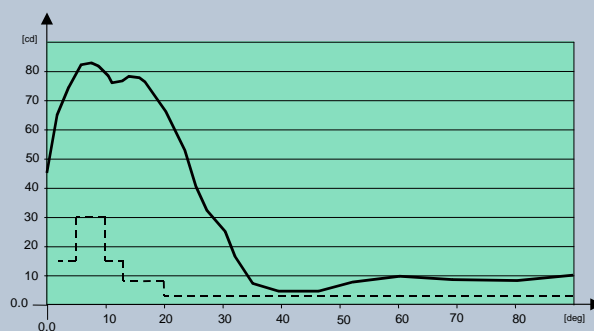
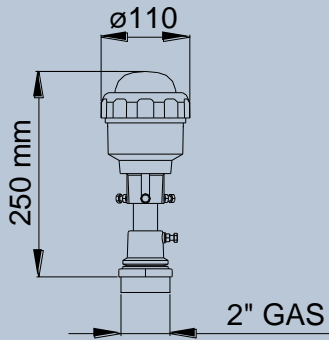


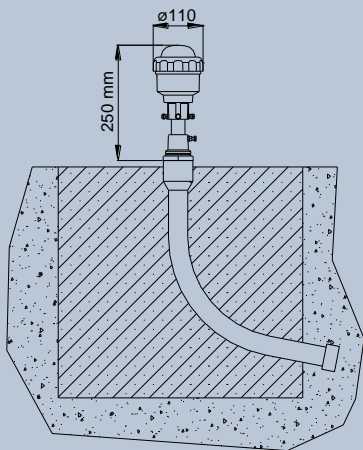
Fig. 2 ICAO fig. 5.9 Illustration 6 TLOF – Green

TABLES

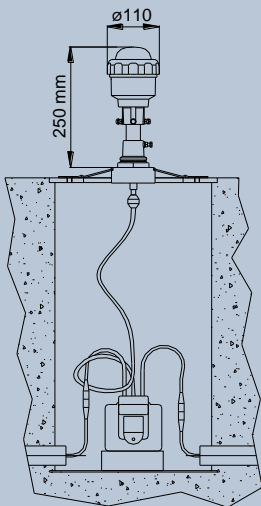
POWER CONSUMPTION	
Electrical System	1 Plug
Parallel Circuit (white)	28 VA
Parallel Circuit (green, yellow)	11 VA



Overall Dimensions



Pipe Elbow



FAA L-867 Deep Base and Base Plate

LHE - I - G - D - 25 - C - P - 0

Basic P/N: _____

Compliance: _____

I = ICAO – IEC

S = STANAG

Colour: _____

W = White

G = Green

Y = Yellow

Mode: _____

D = Parallel Circuit 48 V

Height: _____

00 = Without Pole

25 = 250 mm

Breakable Coupling: _____

0 = Without Breakable Coupling

C = 2" GAS

Electrical System: _____

L = Cable Lead (L = 2 m)*

P = Cable Lead with Plug (L = 20 cm)*

Arctic Kit: _____

0 = Without Arctic Kit

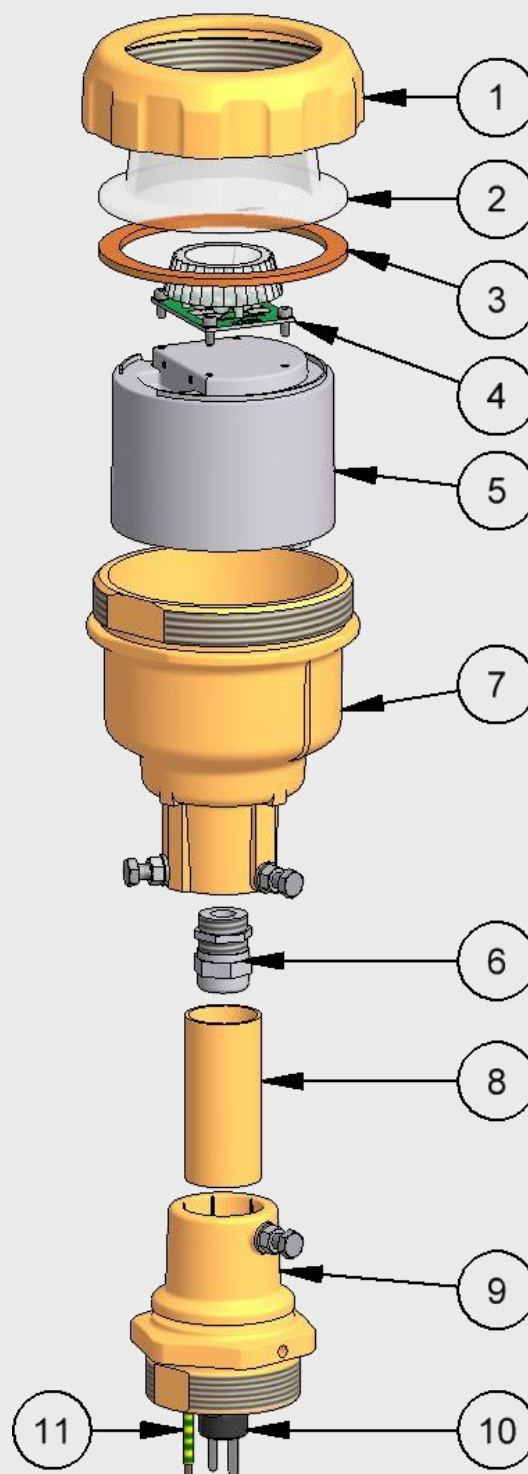
* Exceeding over the breakable coupling

Colour Selection				
SPECS	USE	COLOUR		
		WHITE	GREEN	YELLOW
ICAO	FATO and Aiming Point	X		
ICAO	TLOF Heliport Edge		X	
STANAG	TLOF Heliport Edge			X
STANAG	Landing Direction			X

RENEWAL PARTS FOR LIGHT UNIT

- 1 Lens locking ring
- 2 Lens
- 3 Gasket for lens
- 4 LED module with accessories
- 5 Electronic
- 6 Cable gland
- 7 Body with slipfitter
- 8 Standard 1-inch tube
- 9 Breakable coupling
- 10 FAA L-823 plug
- 11 Fixture grounding wire

Refer to the relevant technical manual for the complete list of the available spare parts

**ACCESSORIES**

- | | |
|----------|-------------------------------------------------------------------------------|
| 011.1521 | Transformer for parallel circuits 25W 230/48V |
| 011.1523 | Transformer for parallel circuits 50W 230/48V |
| 013.0008 | Galvanized steel pipe elbow with upper threaded end only (2" - 11 GAS thread) |
| 315.3210 | Galvanized steel pipe elbow with both threaded ends (2" - 11 GAS thread) |
| 013.0010 | Set of two ryton rings for receptacle support inside pipe elbow |
| 315.1228 | Base L-867, Class IA, Size B, 24" Deep |
| 315.1062 | Baseplate for L-867 base with gasket and cable clamp (2" - 11 GAS thread) |
| 315.1063 | Baseplate for L-867 base with gasket and cable clamp (2" - 11 1/2 NPS thread) |
| 315.1082 | Baseplate for L-867 base with gasket and cable clamp (1"1/2 - 12 UNF thread) |
| 152.5721 | Tripod for fixture complete with ring nut 2" GAS and grounding hardware |
| 011.3025 | L-823 two-pole socket 1.5 m long |
| 332.3500 | Levelling device |

Shipping Weights and Volumes

	Light Unit
Weight (kg)	1.3
Volume (m ³)	0.005

We reserve the right to change the design or specification data without notice

UC-PU-0224_EN-Rev.E