



LETE

LED ELEVATED TAXIWAY EDGE LIGHT



COMPLIANCES

ICAO: Annex 14 - Volume I par. 5.3.18.8
FAA: L-861T(L) AC150/5345-46 and EB No.67
IEC: TS 61827
NATO: STANAG 3316
CAA: CAP 168
IAAE: TP312

APPLICATIONS

Taxiway edge for ICAO, FAA and military taxiways
White Omnidirectional Approach and Unserviceability lights

BENEFITS

- 60000 hours LED rated life at full intensity, but over 100000 hours in field operating conditions
- In new installation, LED lights mean lower loads, lower size of CCRs and transformers, thus low life cycle costs
- The light output is variable like a traditional halogen lamp, as indicated by the FAA "Engineering Briefing No.67"
- Colour emitted directly by LEDs: absence of coloured lenses ensures no energy losses and no colour shifts
- Fully compatible with existing AFL infrastructure*
- Designed with simplicity allowing longer maintenance intervals and fewer spare parts
- Customized lens gasket to avoid the use of sealing
- No optical adjustment after LED module or lens replacement
- Operating with any topology of CCRs designed in compliance with IEC or FAA requirements

* For monitored fixtures, isolation transformer max size: 200VA

PERFORMANCES

- The electronic is strong-built and highly resistant to shock and vibration
- Automatic adaptation to the frequency of the supply current
- A surge protection device is provided in the electronics as required by the FAA "Engineering Briefing No.67"
- Immediate detection of an internal fault
- Lightweight and sturdy due to aluminium die-castings
- Powder coating surface finishing to provide good corrosion resistance
- Body balanced on the slipfitter for proper levelling by means of three screws
- High jet blast resistance due to the small size of the fixture, 250 mm high
- Protection degree: IP67
- Temperature range: -55°C to +55°C

INSTALLATION

- The fixture can be installed on pipe elbow or baseplate
- Specific tools available for easy and precise installation

PHOTOMETRIC PERFORMANCES

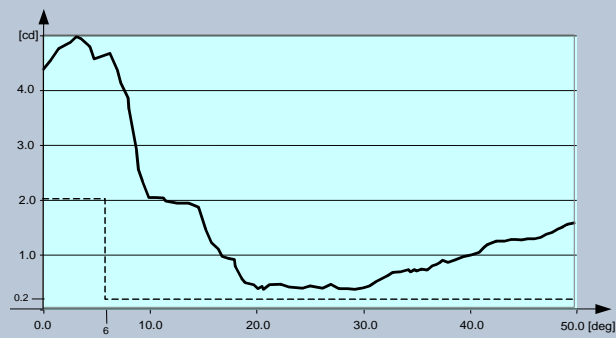


Fig. 1 ICAO par. 5.3.18.8 and FAA L-861T – Blue

TABLES

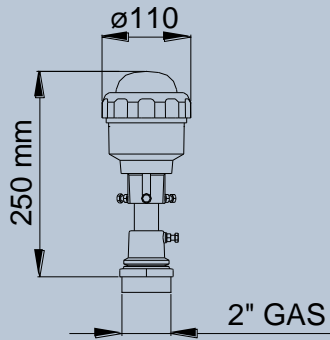
POWER CONSUMPTION*

Electrical System	1 Plug
Omnidirectional (w/o Arctic Kit)	6 VA
Omnidirectional (with Arctic Kit)	18 VA

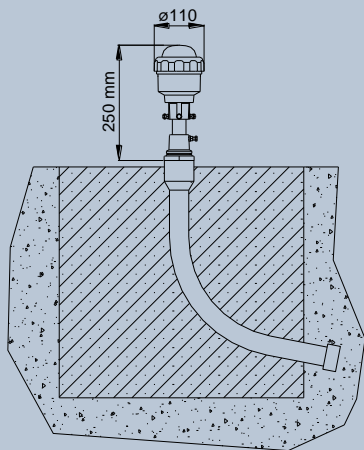
* Measured at 6.6 A and referred to the highest consumption configuration

POWER FACTOR

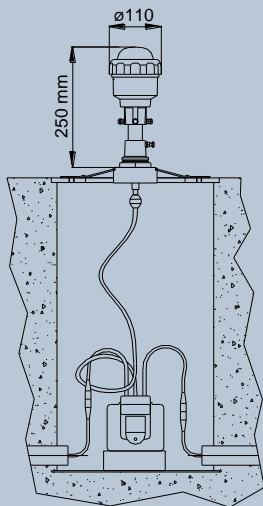
Input Step	2.8 A	6.6 A
Power Factor	0.96	0.98



Overall Dimensions



Pipe Elbow



FAA L-867 Deep Base and Base Plate

LETE - F - 25 - A - M - A - 0

Basic P/N: _____

Compliance: _____
I = ICAO – IEC
S = STANAG
F = FAA

Height: _____
25 = 250 mm
28 = 280 mm
32 = 320 mm
35 = 350 mm
50 = 500 mm
61 = 610 mm
76 = 760 mm

Breakable Coupling: _____
A = 1"1/2 – 12 UNF
B = 2" – 11 1/2 NPS
C = 2" GAS

Monitoring: _____
0 = Without Monitoring
M = With Monitoring

Arctic Kit: _____
0 = Without Arctic Kit
A = With Arctic Kit

Options: _____
W = White Omnidirectional Approach
R = Red Unserviceability light

RENEWAL PARTS FOR LIGHT UNIT

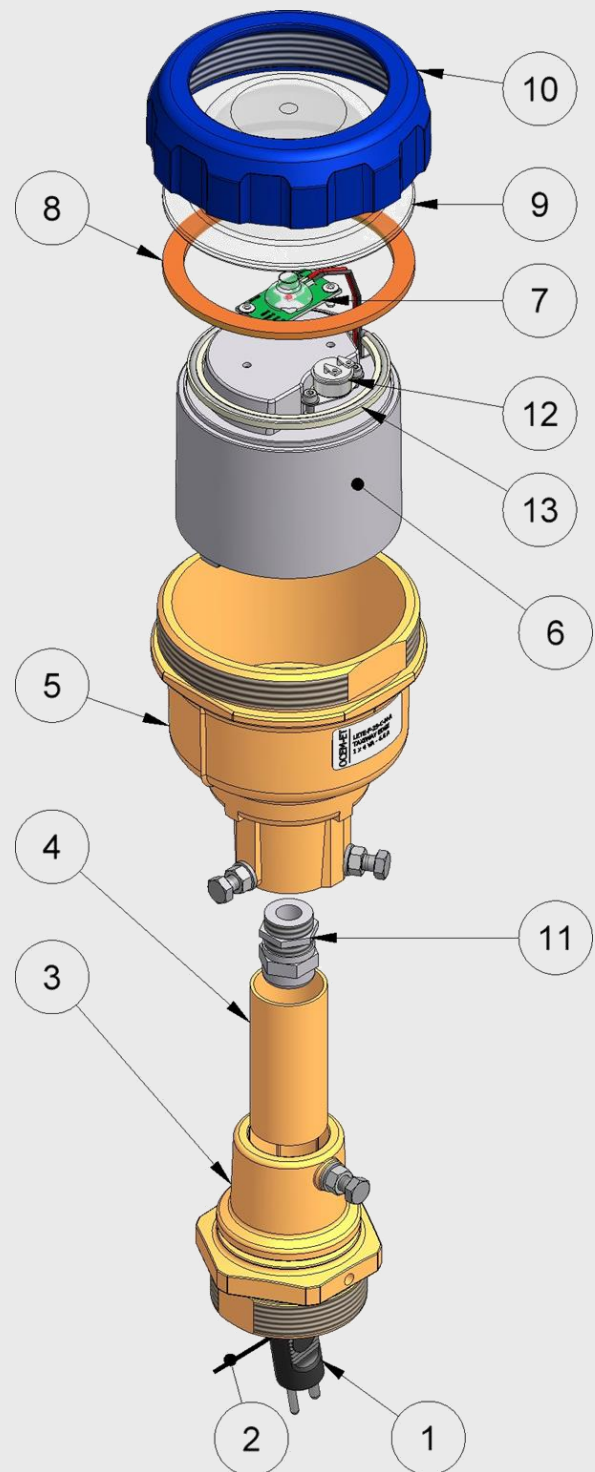
- 1 FAA L-823 plug
- 2 Fixture grounding wire
- 3 Breakable coupling
- 4 Standard 1-inch tube
- 5 Body with slipfitter
- 6 Electronic
- 7 LED module with accessories
- 8 Gasket for lens
- 9 Lens
- 10 Lens locking ring
- 11 Cable gland
- 12 Arctic kit thermostat
- 13 Arctic kit heater

Refer to the relevant technical manual for the complete list of the available spare parts

ACCESSORIES

- | | |
|----------|---|
| 013.0008 | Galvanized steel pipe elbow with upper threaded end only (2" - 11 GAS thread) |
| 315.3210 | Galvanized steel pipe elbow with both threaded ends (2" - 11 GAS thread) |
| 013.0010 | Set of two ryton rings for receptacle support inside pipe elbow |
| 315.1228 | Base L-867, Class IA, Size B, 24" Deep |
| 315.1062 | Baseplate for L-867 base with gasket and cable clamp (2" - 11 GAS thread) |
| 315.1063 | Baseplate for L-867 base with gasket and cable clamp (2" - 11 1/2 NPS thread) |
| 315.1082 | Baseplate for L-867 base with gasket and cable clamp (1 1/2 - 12 UNF thread) |
| 332.3500 | Levelling device |

For any information about isolating transformers and connectors, please see the specific catalogue pages

**Shipping Weights and Volumes**

	Light Unit
Weight (kg)	1.3
Volume (m ³)	0.005

We reserve the right to change the design or specification data without notice

UC-PU-0265_EN-Rev.D