



IREIL

THRESHOLD IDENTIFICATION INSET UNIDIRECTIONAL FLASHING LIGHT



COMPLIANCES

ICAO: Annex 14 - Volume I para 5.3.8

FAA: L-849A-E AC150/5345-51

NATO: STANAG 3316

APPLICATIONS

Lights to be used in paved areas for the realization of REIL systems

BENEFITS

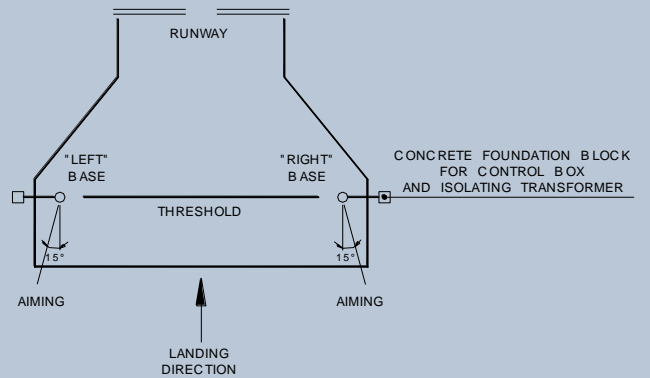
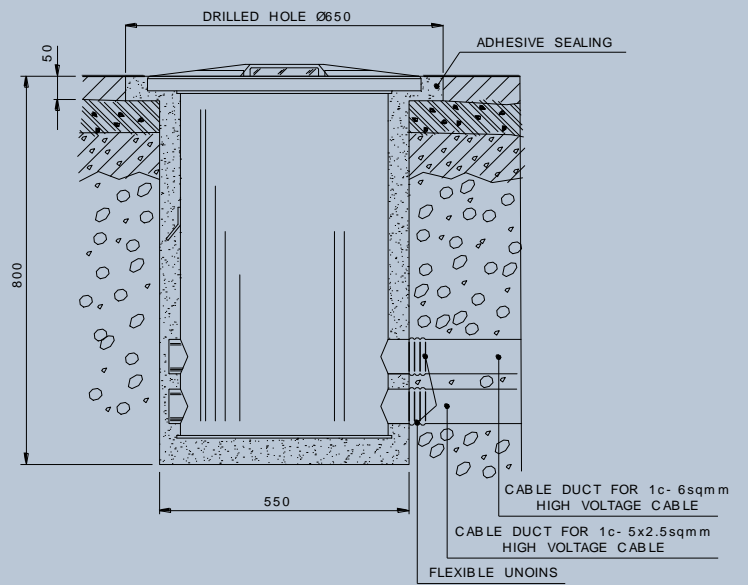
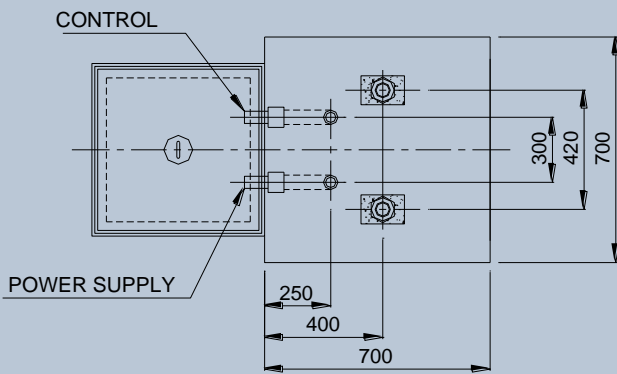
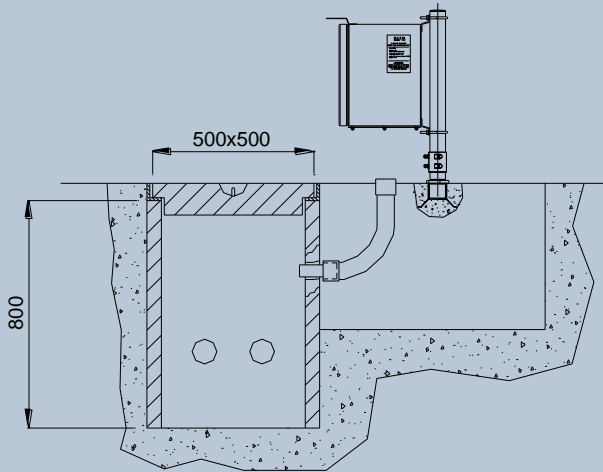
- Available for parallel or series power supply: 230 VAC \pm 10% or 2.8 A - 6.6 A *, 50-60 Hz
- The IREIL control boxes are completely identical to those of the elevated REIL lights, settable on site by means of dip-switches (selection Master/Slave, flashing frequency, location of the light in the flashing system)
- Power and control electronics mounted on withdrawable cards plugged with multiple connectors with safety mechanical interlock, to avoid wrong connections in case of unproper insertion, for easy and quick maintenance
- Simple and quick installation: all the control boxes are interconnected by in-out wirings without the need of external junction boxes
- In the case of cold or humid environments, on request the control boxes may be equipped with heaters to be powered through a dedicated line

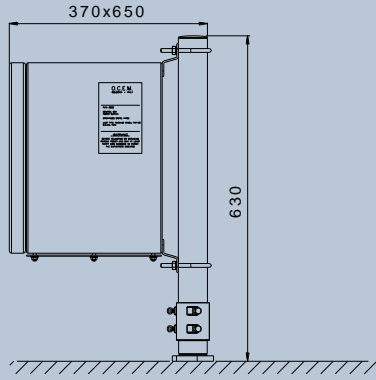
* Contact OCEM ET to exactly define the features of the constant current regulator

PERFORMANCES

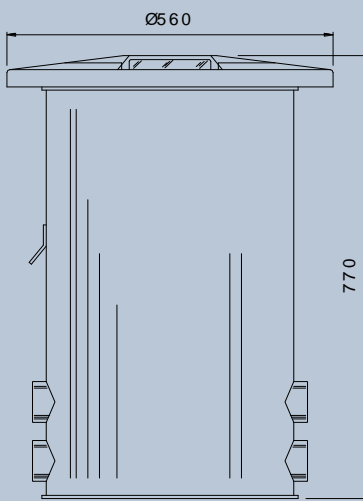
- Each light fixture consists of a control box, mounted on a supporting structure provided with breakable couplings, and a flashing fixture complete with cast iron adaptor ring for installation on FAA LB-4 deep base. Maximum distance between head and box: 50 m
- The lights may flash at the High Level only or at three High (100%), Medium (30%) and Low (10%) Levels
- Control boxes and flashing fixture are equipped with safety microswitches to allow the quick discharge of the capacitors, when the control box door is open or the lamp is removed
- Overvoltage protections at the cable entries
- Control boxes complete with cable lead with L-823 plug, in case of series power supply
- Monitoring of the proper flashing of the lights
- Stainless steel control boxes with cable glands to protect the cable entries
- 1000 hours lamp rated life at High Level and two flashes per second, but greater in field operating conditions
- Power consumption at High Level: approx 250 VA *
- Grado di protezione: IP67 (fixtures) and IP45 (control boxes)
- Temperature range: -25°C to +55°C; -55°C when heaters are provided

* Contact OCEM ET to define the exact power consumption depending on the number of lights and power supply solution





Control box overall dimensions



Fixture overall dimensions

OC62IR - P - 3 - F - 000 - L1

Basic P/N: _____

Power Supply: _____

S = Series 2.8 A - 6.6 A
P = Parallel 230 VAC ± 10%, 50 Hz

Brightness Levels: _____

1 = Fixed
3 = Three Steps

Mounting Assembly: _____

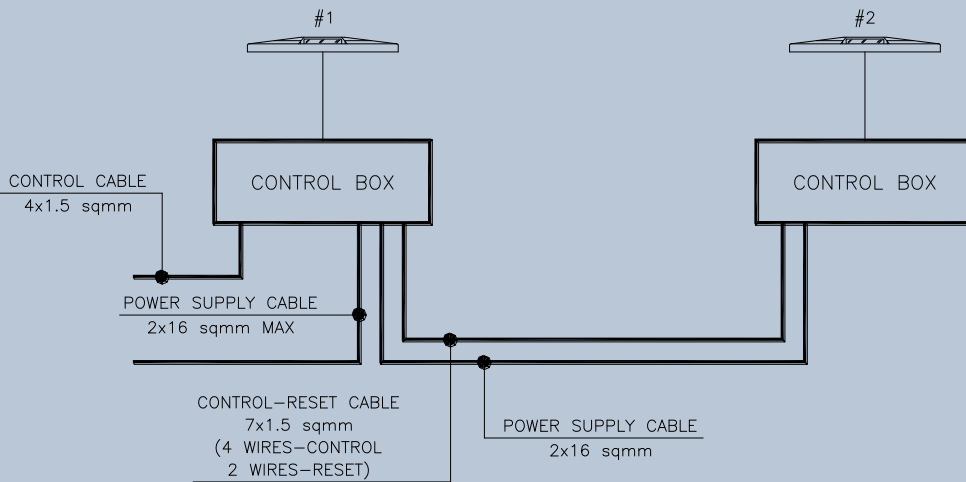
F = Far

Wiring Length: _____

000 = Wiring NOT INCLUDED
..... = Length fixed by the Customer (in dm)
(Example: wiring length of 8.5 m - indicate 085)

Options: _____

L1 = Cumulative Lamp Failure Monitoring
L2 = Selective Lamp Failure Monitoring
L4 = Power Supply Monitoring
ANT = Heater



THREE-STEP REIL SYSTEM

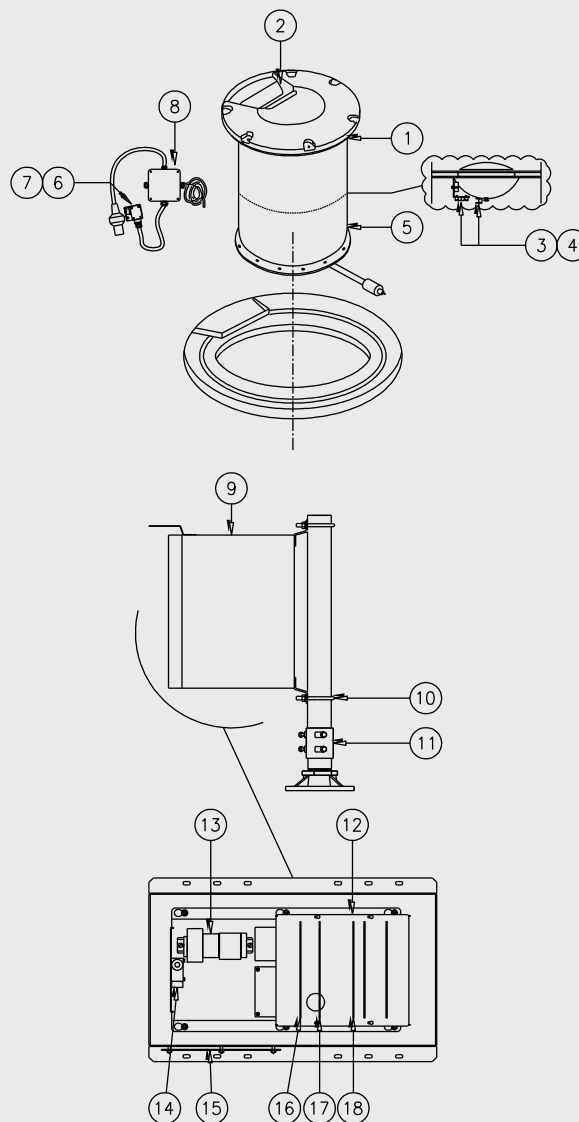
RENEWAL PARTS FOR LIGHT UNIT

- 1 Dome-can O-Ring
- 2 Fixture-adaptor ring O-Ring
- 3 HV1-734 lamp, QPAR-56
- 4 Ignitor
- 5 Lower cover-can O-Ring
- 6 Safety microswitch for fixture
- 7 Micro-switch O-Ring
- 8 Fixture power supply junction box
- 9 Control box
- 10 Collar for box mounting, complete with hardware
- 11 Breakable coupling for supporting structure
- 12 Plexiglass for electronic card protection
- 13 Terminal boards
- 14 Safety microswitch for control box
- 15 Cable glands
- 16 HV withdrawable card
- 17 Control withdrawable card
- 18 Power supply withdrawable card

Refer to the relevant technical manual for the complete list of the available spare parts

ACCESSORIES

- 013.0019 FAA LB-4 deep base (suitably worked)
 315.4100 Threaded anchor 2"-11 GAS
 303.7350 Threaded floor flange 2"-11 GAS
 013.0008 Galvanized steel pipe elbow with upper threaded end only (2" - 11 GAS thread)
 315.3210 Galvanized steel pipe elbow with both threaded ends (2" - 11 GAS thread)
 013.0010 Set of two ryton rings for receptacle support inside pipe elbow
 303.6160 Threaded coupling to lock the secondary plug-socket connection on pipe elbow
 011.0517 Special isolation transformer for series circuits 600 VA (CCR-SCR type)
 011.0524 Special isolation transformer for series circuits 400 VA (CCR with sinusoidal output)
 332.3335 Positioning jig for LB-4 base

**Shipping Weights and Volumes**

	Fixture	Ring	Box
Weight (kg)	33	38	25
Volume (m ³)	0.07	0.02	.2

We reserve the right to change the design or specification data without notice

UC-PU-0289_EN