



IGS

FLUORESCENT LUMINOUS GUIDANCE SIGN



COMPLIANCES

ICAO: Annex 14 - Volume I para 5.4

NATO: STANAG 3316

APPLICATIONS

IGS guidance signs, inside lighted, are designed for use on airport taxiways and runways to mark taxi routes and intersections, by day and by night. Colours may be black on yellow, yellow on black, or white on red depending on the application as defined by ICAO. IGS signs may be used as guidance markers in compliance with STANAG Specs

BENEFITS

- Long life fluorescent lamps (> 18000 hours)
- Modular design with uniform leg spacing
- Two lamps per module, each powered through a dedicated single-lamp electronic ballast for maximum reliability
- Message on one or both faces
- Power supply from series circuits through isolating transformers. See TABLE C for isolating transformer choice
- Constant average sign luminance (widely exceeding ICAO Specs) at any series current step from 2.8 A through 6.6 A

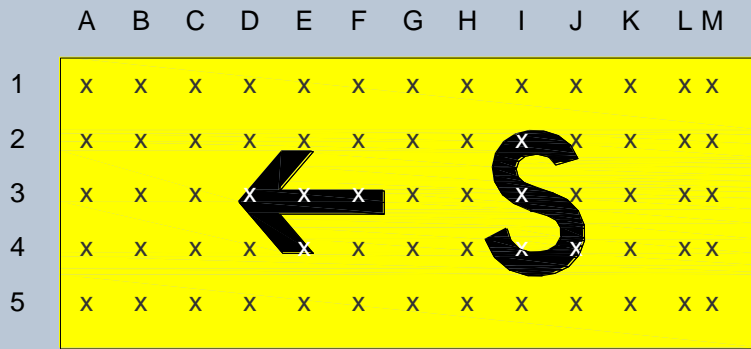
FEATURES AND PERFORMANCES

- Designed in compliance with FAA AC 150/5345-44
- Structural integrity assured by extruded aluminium panels
- Matt black external finishing
- Metric stainless steel hardware
- Long life, UV and abrasion resistant sign faces with messages realized by means of translucent adhesive coloured sheets, inside applied
- Breakable couplings may be pre-installed on concrete pad and sign lowered onto them for easy installation
- Enclosed power entry through protective flexible pipe
- External power disconnecting switch breaks all electrical connections to the sign for safe maintenance
- Wind speed: 322 km/h (mode 2 - FAA AC 150/5345-44)
- Protection degree: IP34
- Temperature range: -20°C to +55°C

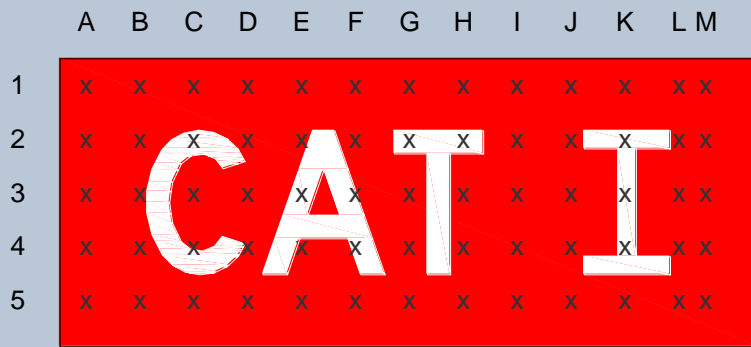
INSTALLATION

- On concrete platform by means of floor flanges

PHOTOMETRIC PERFORMANCES



	A	B	C	D	E	F	G	H	I	J	K	L	M
1	402	476	512	520	493	420	296	410	474	501	503	455	417
2	493	606	652	661	621	523	378	526		628	647	595	537
3	550	702	756		646	533	414	607		742	745	673	597
4	558	703	758	765	685	608	437	598	607		713	642	579
5	453	579	622	628	597	502	344	483	561	567	549	509	456



	A	B	C	D	E	F	G	H	I	J	K	L	M
1	65	76	86	86	82	70	51	66	76	80	80	73	67
2	80	104		111	112	90			99	106		100	87
3	92	125	128	128			75	101	118	123		111	99
4	92	121		138	137		79	104	119	124		111	98
5	77	101	113	114	108	88	62	86	97	100	98	90	80

NOTE: performances may vary depending on type and manufacturer of isolation transformers and constant current regulators

	6.6A	4.8-6.6A	2.8-6.6A
Current in the series circuit	6.6A	4.8-6.6A	2.8-6.6A
Power required to regulator per module	150VA	200VA	250VA

	6.6A	4.8-6.6A	2.8-6.6A
Current in the series circuit	6.6A	4.8-6.6A	2.8-6.6A
Power Factor	≥ 0,90	≥ 0,90	≥ 0,90

IGS- 32 - 1 - 01

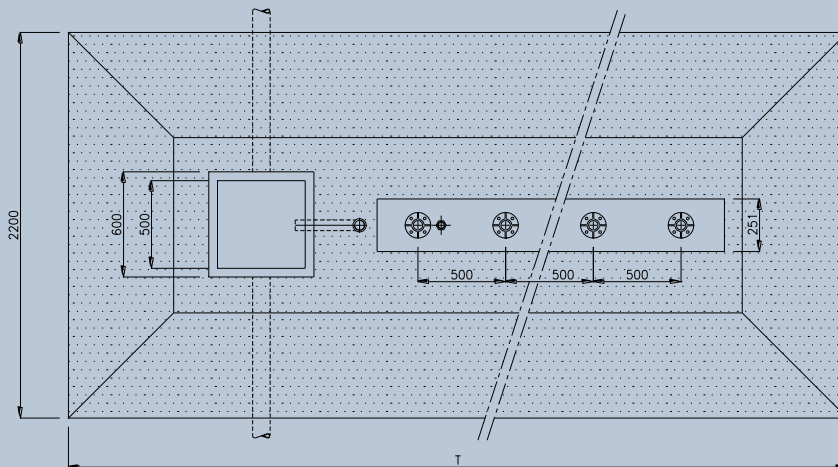
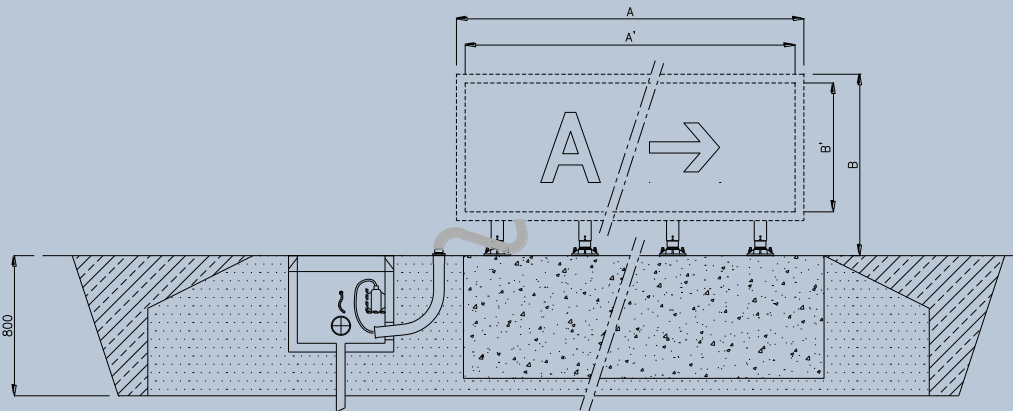
- Basic P/N:** _____
- Message Size:** _____
 3 = 300 mm Legend Height
 4 = 400 mm Legend Height
- Number of Faces:** _____
 1 = Single Face
 2 = Double Face
- Number of Modules:** _____
 1 to 4
- Options:** _____
 00 = Without Lamps
 01 = Tether
 10 = Lamp monitoring
 18 = Double power supply for 3 and 4 module signs
 23 = Retroreflective faces
 69 = Orange rear side for single face signs
 70 = Bird Spikes
 77 = LC filter (for operation on series circuit with Single Lamp Control Monitoring Devices)

- Maximum of (4) Modules for sign. Take not that 4 modul signs are not conforming to the reccomandations of ICAO Aerodrome Design Manualli - Part 6 (maximun length of the signs 3m). If the message cannot be included in a sign only, two signs may be co-located
- To determine the exact number of modules to fit your message, contact OCEM ET
- Floor flanges included; anchor bolts not included
- The colours of the sign face and the legends must be specified for each sign
- Multiple messages and colours may appear on a sign face
- When facing side A, the power entry is on the right

TABLE C – ISOLATION TRANSFORMERS

	Number of Modules			
	1	2	3	4
Transformer Power	200 W	300 W	400 W	2x300 W(1)

(1) Use consolidating harness P/N 011.3100 to connect in series the secondary of the isolation transformers, if not provided with grounding terminal



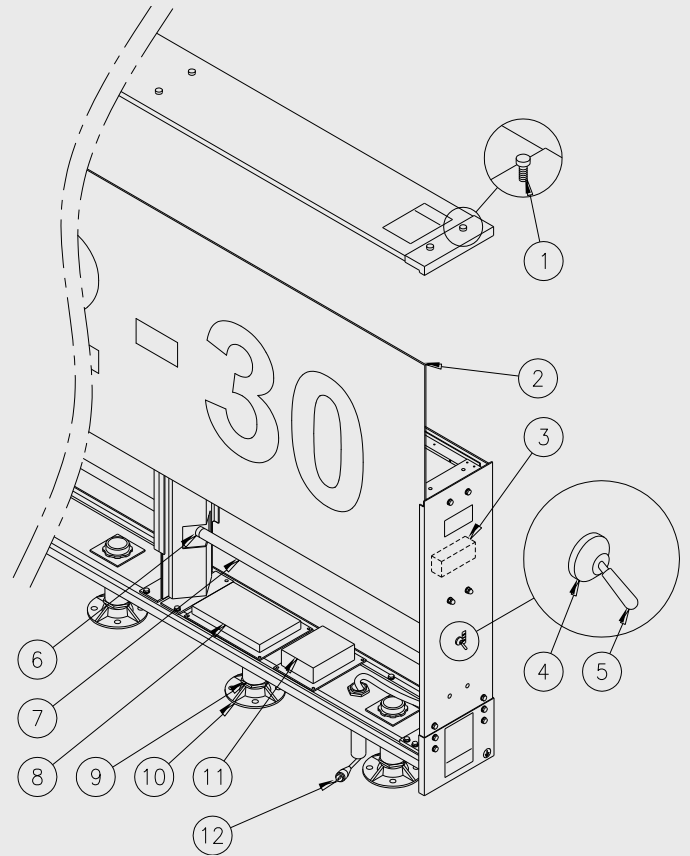
Number of Modules	1	2	3	4
A	991	1976	2961	3946
A'	955	1940	2925	3910
T	3366	4351	5336	6321

Legend Height	300	400
B	838	1038
B'	600	800

RENEWAL PARTS FOR LIGHT UNIT

- 1 Screw knob for cover with accessories
- 2 Face panel
- 3 LC Filter
- 4 Rubber cap for switch
- 5 ON-OFF Switch
- 6 G13 lampholder (IP 67) with hardware
- 7 Fluorescent lamp
- 8 Single-lamp electronic ballast
- 9 Breakable coupling
- 10 Floor flange
- 11 Electronic card E897
- 12 Cable lead with plug

Refer to the relevant technical manual for the complete list of the available spare parts

**ACCESSORIES**

- 013.0008 Galvanized steel pipe elbow with upper threaded end only (2" - 11 GAS thread)
- 315.3210 Galvanized steel pipe elbow with both threaded ends (2" - 11 GAS thread)
- 013.0010 Set of two ryton rings for receptacle support inside pipe elbow
- 315.1228 Base L-867, Class IA, Size B, 24" Deep
- 315.1062 Baseplate for L-867 base with gasket and cable clamp (2" - 11 GAS thread)
- 011.2300 Transformer pack for series circuits FAA L-831 2x300 W 6.6/6.6 A, suitable for secondary grounding
- 011.3100 Consolidating harness (for series connection between two, 300 W 6.6/6.6 A transformers without secondary grounding)
- 315.4150 M12x60 anchoring rod, 250 mm long, complete with hardware(4 pieces for each floor flange)

For any information about isolating transformers and connectors, please see the specific catalogue pages

**Signs Legend H=300 mm
Shipping Weights and Volumes**

Type	1M	2M	3M	4M
Weight (kg)	46	80	117	145
Volume (m ³)	0.300	0.570	0.840	1.110

**Signs Legend H=400 mm
Shipping Weights and Volumes**

Type	1M	2M	3M	4M
Weight (kg)	51	88	128	160
Volume (m ³)	0.350	0.680	1.010	1.350