



HIGS

HALOGEN LUMINOUS GUIDANCE SIGN



COMPLIANCES

ICAO: Annex 14 - Volume I para 5.4

NATO: STANAG 3316

APPLICATIONS

HIGS guidance signs, inside lighted, are designed for use on airport taxiways and runways to mark taxi routes and intersections, by day and by night. Colours may be black on yellow, yellow on black, or white on red depending on the application as defined by ICAO. IGS signs may be used as guidance markers in compliance with STANAG Specs

BENEFITS

- 1500 hours lamp rated life at full intensity, but over 3000 hours in field operating conditions
- Modular design with uniform leg spacing
- Two lamps per module, connected in series, each equipped in parallel with electronic autoresettable cutout in order to avoid the black-out of the entire sign when one lamp burns-out
- No inner reflector needed to obtain the photometric performances required by the specifications
- Power supply from series circuits through isolating transformers. See TABLE C for isolating transformer choice
- Average sign luminance (widely exceeding ICAO Specs at maximum series current), variable with the current from 2.8 A through 6.6 A

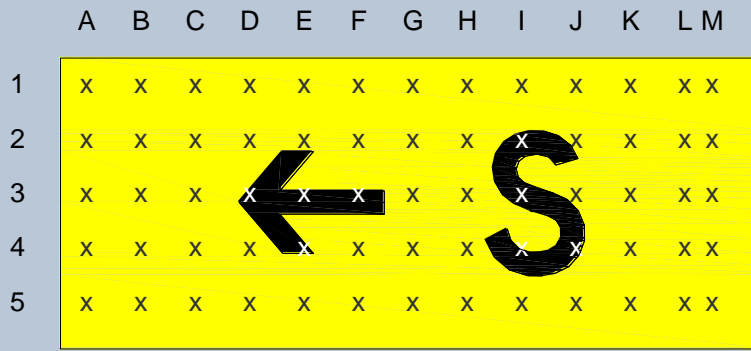
FEATURES AND PERFORMANCES

- Designed in compliance with FAA AC 150/5345-44
- Message on one face
- Structural integrity assured by extruded aluminium panels
- Matt black external finishing
- Metric stainless steel hardware
- Long life, UV and abrasion resistant sign faces with messages realized by means of translucent adhesive coloured sheets, inside applied
- Breakable couplings may be pre-installed on concrete pad and sign lowered onto them for easy installation
- Enclosed power entry through protective flexible pipe
- External power disconnecting switch breaks all electrical connections to the sign for safe maintenance
- Wind speed: 322 km/h (mode 2 - FAA AC 150/5345-44)
- Protection degree: IP34; IP55 on request
- Temperature range: -55°C to +55°C

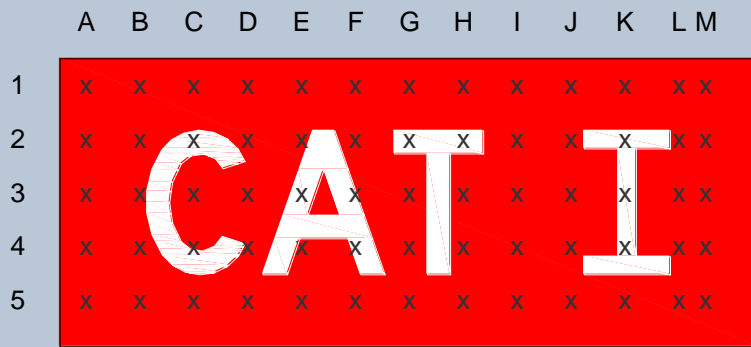
INSTALLATION

- On concrete platform by means of floor flanges

PHOTOMETRIC PERFORMANCES at 6.6 A



	A	B	C	D	E	F	G	H	I	J	K	L	M
1	227	254	214	198	239	215	185	276	256	202	231	259	249
2	254	265	245	243	251	273	223	318		337	256	388	350
3	287	279	265		276	265	273	261		378	406	292	399
4	249	256	264	257	300	232	320	332	347		255	345	314
5	202	273	220	214	299	264	196	257	292	206	203	265	263



	A	B	C	D	E	F	G	H	I	J	K	L	M
1	61	63	55	52	64	58	51	76	72	57	65	72	68
2	63	85		72	81	63			91	68		98	91
3	69	103	111	99			71	71	106	80		108	100
4	60	88		70	91		68	64	75	89		85	80
5	51	71	58	56	78	69	54	65	72	52	51	65	67

	6.6A	4.8-6.6A	2.8-6.6A
Current in the series circuit	6.6A	4.8-6.6A	2.8-6.6A
Power required to regulator per module	100VA	100VA	100VA

	6.6A	4.8-6.6A	2,8-6.6A
Current in the series circuit	6.6A	4.8-6.6A	2,8-6.6A
Power Factor	≥ 0.97	≥ 0.97	≥ 0.97

HIGS- 32 - 1 - 01

Basic P/N: _____

Message Size: _____
 3 = 300 mm Legend Height
 4 = 400 mm Legend Height

Number of Faces: _____
 1 = Single Face

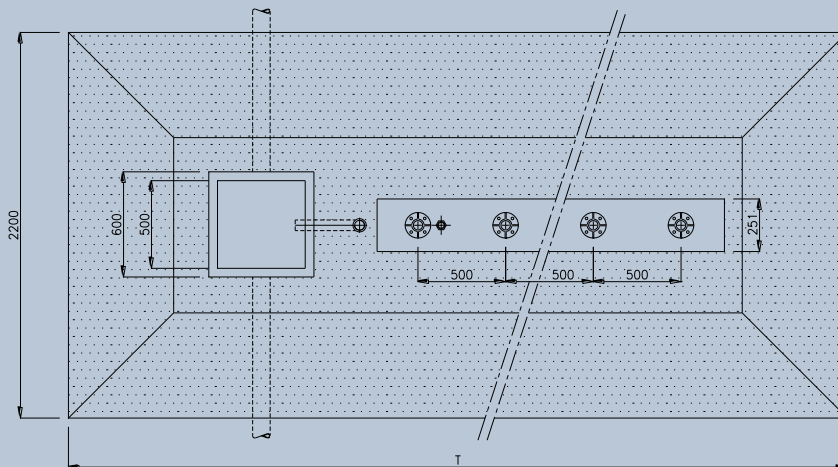
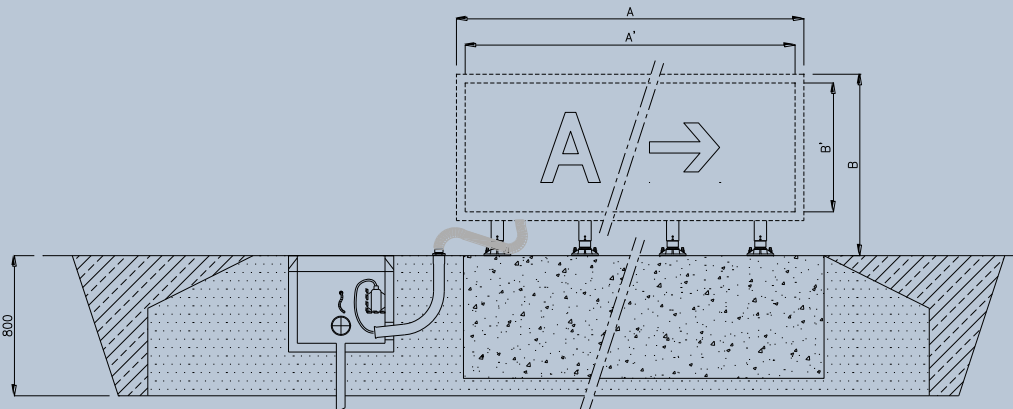
Number of Modules: _____
 1 to 4

Options: _____
 00 = Without Lamps
 01 = Tether
 18 = Double power supply for 4 module signs
 55 = Protection degree IP55
 69 = Orange rear side for single face signs
 70 = Bird Spikes

- Maximum of (4) Modules for sign. Take not that 4 modul signs are not conforming to the reccomandations of ICAO Aerodrome Design Manualli - Part 6 (maximun length of the signs 3m). If the message cannot be included in a sign only, two signs may be co-located
- To determine the exact number of modules to fit your message, contact OCEM ET
- Floor flanges included; anchor bolts not included
- The colours of the sign face and the legends must be specified for each sign
- Multiple messages and colours may appear on a sign face
- When facing side A, the power entry is on the right

TABLE C – ISOLATION TRANSFORMERS

	Number of Modules			
	1	2	3	4
Transformer Power	100 W	200 W	300 W	400 W



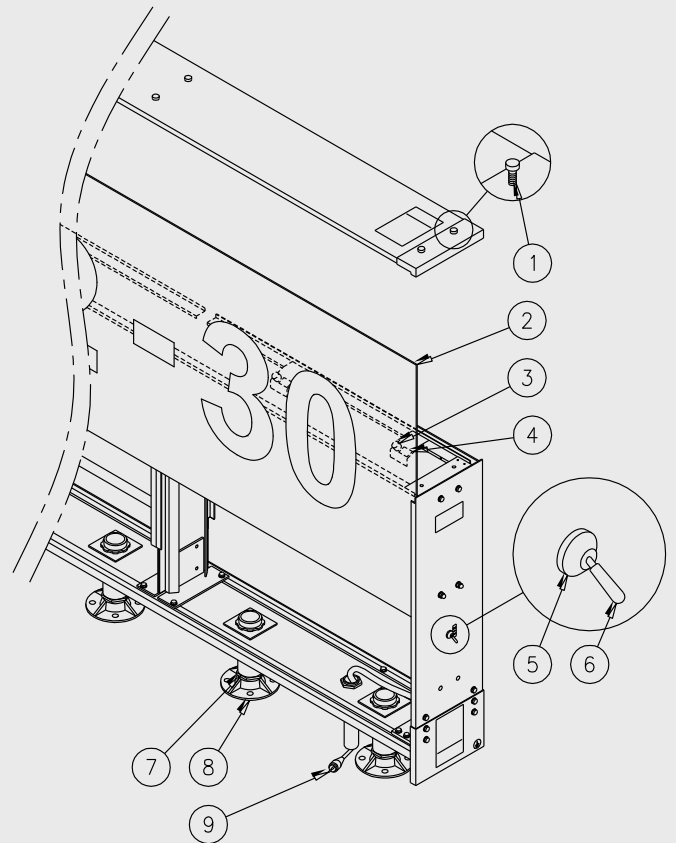
Number of Modules	1	2	3	4
A	991	1976	2961	3946
A'	955	1940	2925	3910
T	3366	4351	5336	6321

Legend Height	300	400
B	838	1038
B'	600	800

RENEWAL PARTS FOR LIGHT UNIT

- 1 Screw knob for cover with accessories
- 2 Face panel
- 3 Halogen lamp
- 4 Autoresettable cutout card F159
- 5 Rubber cap for switch
- 6 ON-OFF Switch
- 7 Breakable coupling
- 8 Floor flange
- 9 Cable lead with plug

Refer to the relevant technical manual for the complete list of the available spare parts

**ACCESSORIES**

- 013.0008 Galvanized steel pipe elbow with upper threaded end only (2" - 11 GAS thread)
- 315.3210 Galvanized steel pipe elbow with both threaded ends (2" - 11 GAS thread)
- 013.0010 Set of two ryton rings for receptacle support inside pipe elbow
- 315.1228 Base L-867, Class IA, Size B, 24" Deep
- 315.1062 Baseplate for L-867 base with gasket and cable clamp (2" - 11 GAS thread)
- 315.4150 M12x60 anchoring rod, 250 mm long, complete with hardware (4 pieces for each floor flange)

For any information about isolating transformers and connectors, please see the specific catalogue pages

**Signs Legend H=300 mm
Shipping Weights and Volumes**

Type	1M	2M	3M	4M
Weight (kg)	43	74	108	133
Volume (m ³)	0.300	0.570	0.840	1.110

**Signs Legend H=400 mm
Shipping Weights and Volumes**

Type	1M	2M	3M	4M
Weight (kg)	48	82	119	148
Volume (m ³)	0.350	0.680	1.010	1.350

We reserve the right to change the design or specification data without notice

UC-PU-0222_EN-Rev.F