



FIAC

APPROACH INSET UNIDIRECTIONAL FLASHING LIGHT



COMPLIANCES

ICAO: Annex 14 - Volume I para 5.3.4

FAA: FAA-E-2325 e FAA-E-2689

NATO: STANAG 3316

APPLICATIONS

Lights to be used in paved areas for completion of the flashing lighting systems provided to supplement CAT I, II and III precision approach steady burning lighting systems

BENEFITS

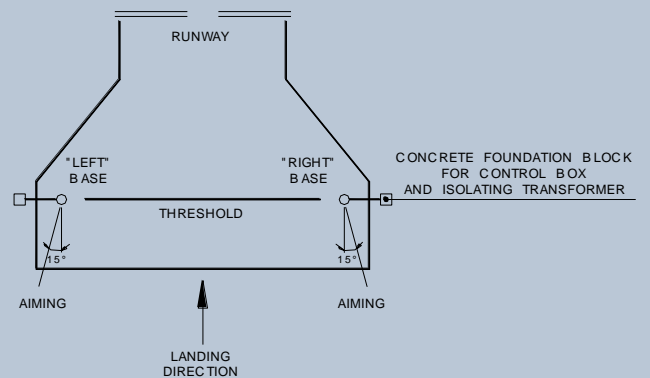
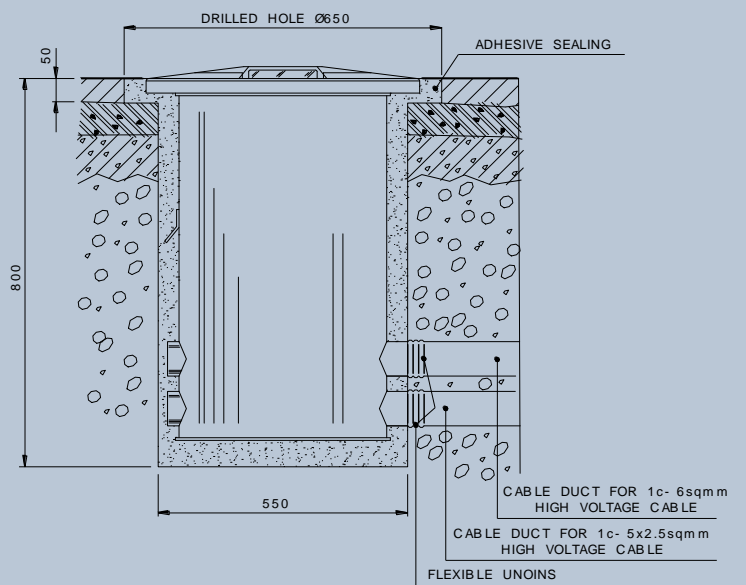
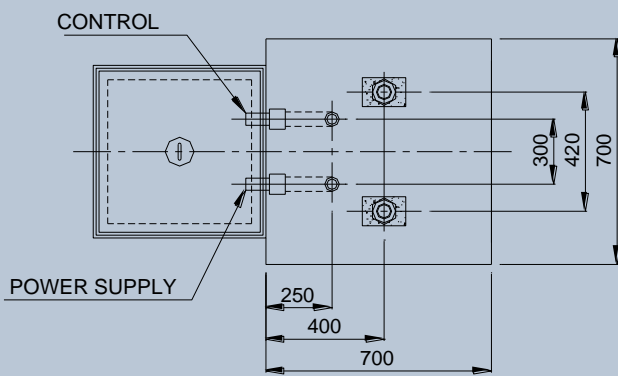
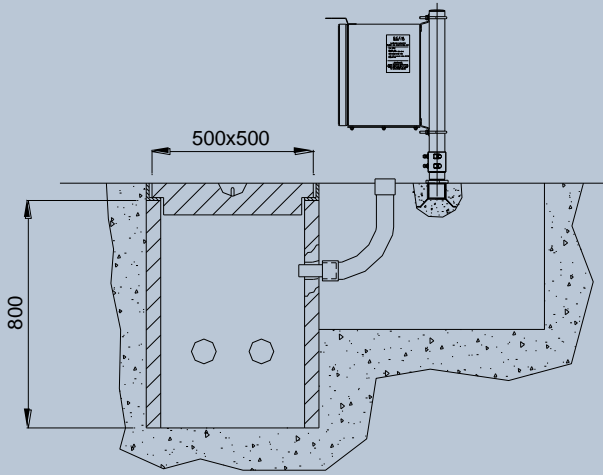
- Available for parallel or series power supply: 230 VAC \pm 10% or 2.8 A - 6.6 A * , 50-60 Hz
- The FIAC control boxes are completely identical to those of the elevated FEAC lights, settable on site by means of dip-switches (selection Master/Slave, flashing frequency, location of the light in the flashing system)
- Power and control electronics mounted on withdrawable cards plugged with multiple connectors with safety mechanical interlock, to avoid wrong connections in case of unproper insertion, for easy and quick maintenance
- Simple and quick installation: all the control boxes are interconnected by in-out wirings without the need of external junction boxes
- In the case of cold or humid environments, on request the control boxes may be equipped with heaters to be powered through a dedicated line

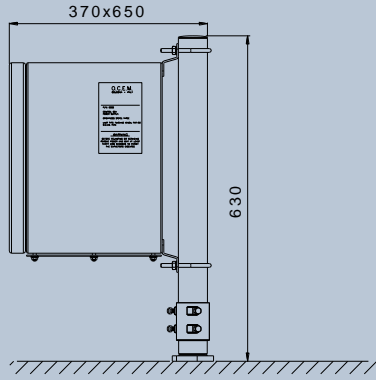
* Contact OCEM ET to exactly define the features of the constant current regulator

PERFORMANCES

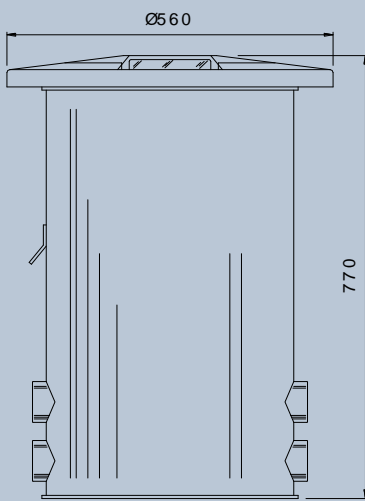
- Each light fixture consists of a control box, mounted on a supporting structure provided with breakable couplings, and a flashing fixture complete with cast iron adaptor ring for installation on FAA LB-4 deep base. Maximum distance between head and box: 50 m
- The lights may flash at the High Level only or at three High (100%), Medium (30%) and Low (10%) Levels
- Control boxes and flashing fixture are equipped with safety microswitches to allow the quick discharge of the capacitors, when the control box door is open or the lamp is removed
- Overvoltage protections at the cable entries
- Control boxes complete with cable lead with L-823 plug , in case of series power supply
- Monitoring of the proper flashing of the lights
- Stainless steel control boxes with cable glands to protect the cable entries
- 1000 hours lamp rated life at High Level and two flashes per second, but greater in field operating conditions
- Power consumption at High Level: approx 250 VA *
- Grado di protezione: IP67 (fixtures) and IP45 (control boxes)
- Temperature range: -25°C to +55°C; -55°C when heaters are provided

* Contact OCEM ET to define the exact power consumption depending on the number of lights and power supply solution





Control box overall dimensions



Fixture overall dimensions

OC62IA - P - 3 - F - 000 - L1

Basic P/N: _____

Power Supply: _____

S = Series 2.8 A - 6.6 A
P = Parallel 230 VAC ± 10%, 50 Hz

Brightness Levels: _____

1 = Fixed
3 = Three Steps

Mounting Assembly: _____

F = Far

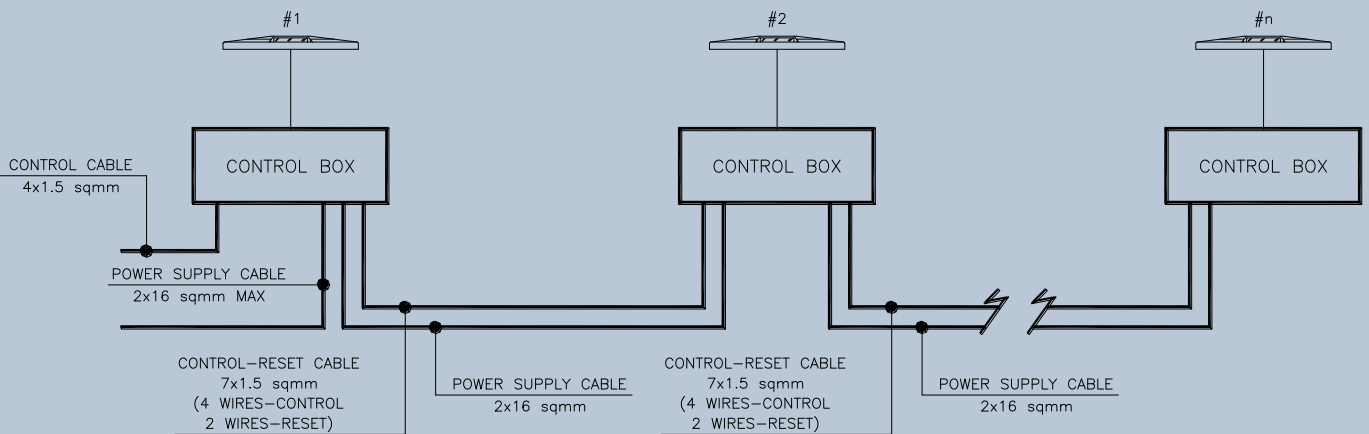
Wiring Length: _____

000 = Wiring NOT INCLUDED

..... = Length fixed by the Customer (in dm)
(Example: wiring length of 8.5 m - indicate 085)

Options: _____

- L1 = Cumulative Lamp Failure Monitoring
- L2 = Selective Lamp Failure Monitoring
(system including 21 lights maximum)
- L3 = Selective Lamp Failure Monitoring
(system including 30 lights maximum)
- L4 = Power Supply Monitoring
- ANT = Heater



THREE-STEP FLASHING SYSTEM

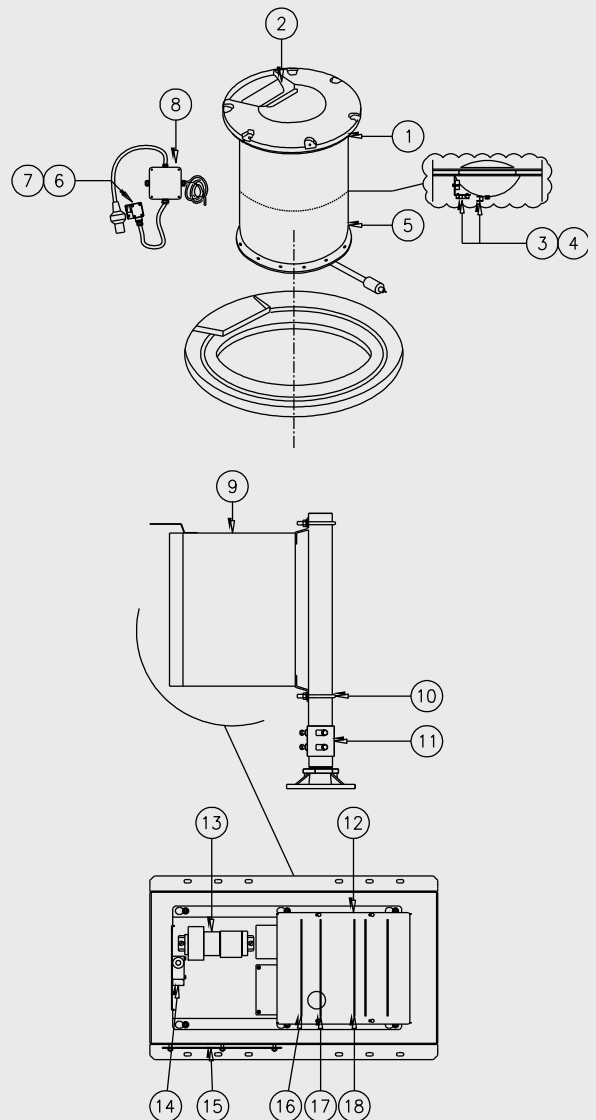
RENEWAL PARTS FOR LIGHT UNIT

- 1 Dome-can O-Ring
- 2 Fixture-adaptor ring O-Ring
- 3 HV1-734 lamp, QPAR-56
- 4 Ignitor
- 5 Lower cover-can O-Ring
- 6 Safety microswitch for fixture
- 7 Micro-switch O-Ring
- 8 Fixture power supply junction box
- 9 Control box
- 10 Collar for box mounting, complete with hardware
- 11 Breakable coupling for supporting structure
- 12 Plexiglass for electronic card protection
- 13 Terminal boards
- 14 Safety microswitch for control box
- 15 Cable glands
- 16 HV withdrawable card
- 17 Control withdrawable card
- 18 Power supply withdrawable card

Refer to the relevant technical manual for the complete list of the available spare parts

ACCESSORIES

- 013.0019 FAA LB-4 deep base (suitably worked)
 315.4100 Threaded anchor 2"-11 GAS
 303.7350 Threaded floor flange 2"-11 GAS
 013.0008 Galvanized steel pipe elbow with upper threaded end only (2" - 11 GAS thread)
 315.3210 Galvanized steel pipe elbow with both threaded ends (2" - 11 GAS thread)
 013.0010 Set of two ryton rings for receptacle support inside pipe elbow
 303.6160 Threaded coupling to lock the secondary plug-socket connection on pipe elbow
 011.0517 Special isolation transformer for series circuits 600 VA (CCR-SCR type)
 011.0524 Special isolation transformer for series circuits 400 VA (CCR with sinusoidal output)
 332.3335 Positioning jig for LB-4 base

**Shipping Weights and Volumes**

	Fixture	Ring	Box
Weight (kg)	33	38	25
Volume (m ³)	0.07	0.02	.2

We reserve the right to change the design or specification data without notice

UC-PU-0288_EN