



FAU

ELEVATED APPROACH, THRESHOLD AND RUNWAY END LIGHT



COMPLIANCES

ICAO: Annex 14 - Volume I Fig. A2-1, A2-2, A2-3, A2-4, A2-8

FAA: L-862S AC150/5345-46

IEC: TS 61827

NATO: STANAG 3316

CAA: CAP 168

IAAE: TP312

APPLICATIONS

Approach, Threshold and Runway End for ICAO CAT I,II and III and military runways

Used for Stop Bar lighting on FAA taxiways

BENEFITS

- Only one lamp rated from 65W through 200W: its replacement is quick and easy without use of tools
- 1000 hours lamp rated life at full intensity, but over 3000 hours in field operating conditions
- Designed with simplicity allowing longer maintenance intervals and fewer spare parts
- Heat resistant front glass, white, red or green, external surface with large prisms for easy cleaning
- Customized front glass gasket to avoid the use of sealing
- No optical adjustment after lamp or front glass replacement

PERFORMANCES

- Lightweight and sturdy due to aluminium die-castings
- Powder coating surface finishing to provide good corrosion resistance
- Body balanced on a graduated support for proper horizontal and vertical aiming
- High jet blast resistance due to the small size of the Threshold and Runway End fixtures, 320 mm high
- Protection degree: IP54
- Temperature range: -55°C to +55°C

INSTALLATION

- The fixture can be installed on pipe elbow or baseplate
- Specific tools available for easy and precise installation

PHOTOMETRIC PERFORMANCES

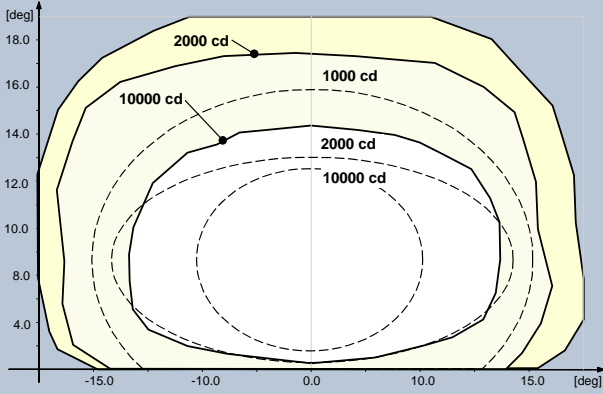


Fig. 1 ICAO Fig. A2-1 – White

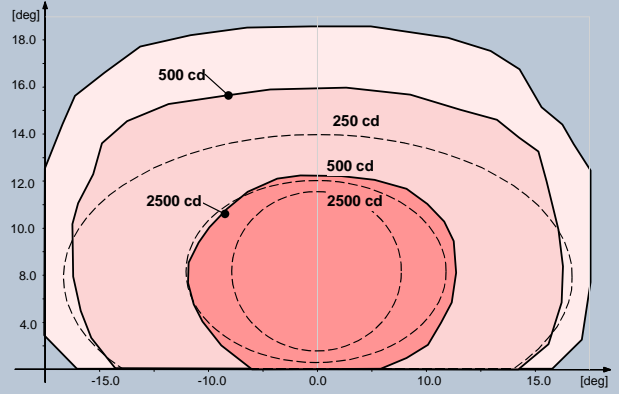


Fig. 2 ICAO Fig. A2-2 – Red

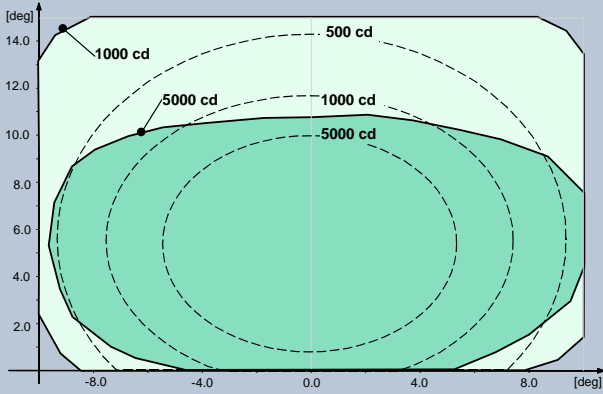


Fig. 3 ICAO Fig. A2-4 – Green

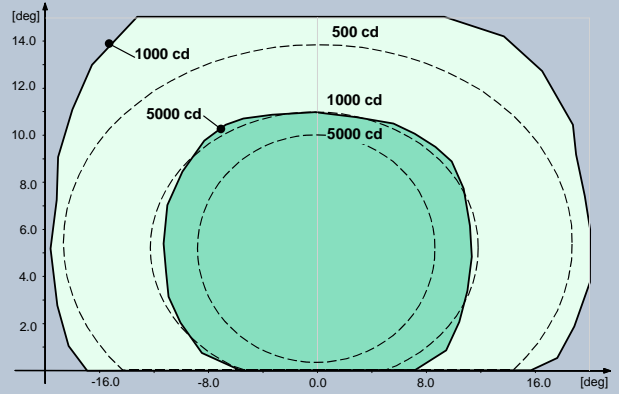


Fig. 4 ICAO Fig. A2-3 – Green

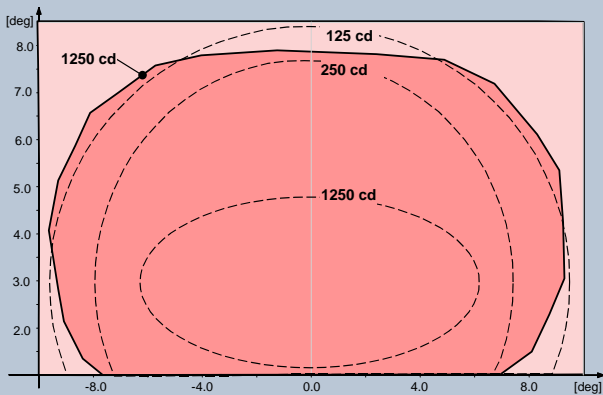


Fig. 5 ICAO Fig. A2-8 – Red

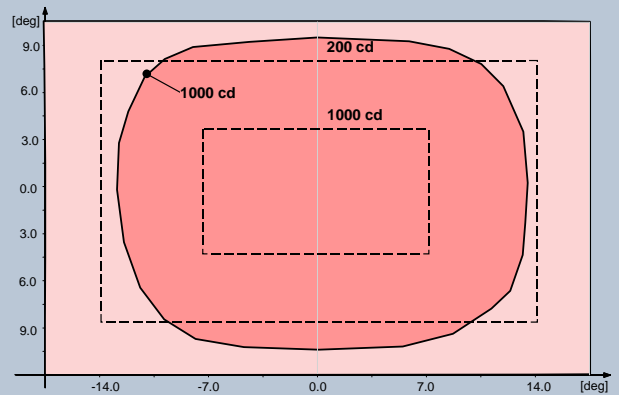
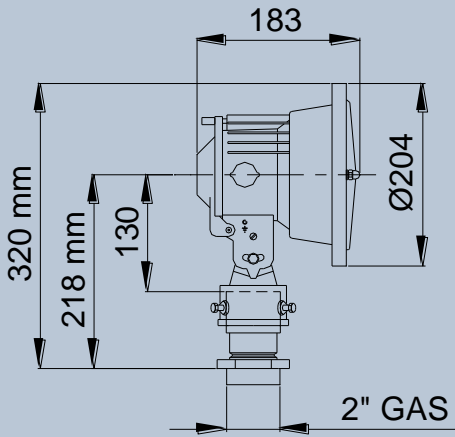
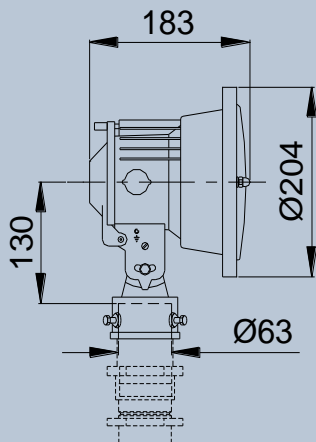


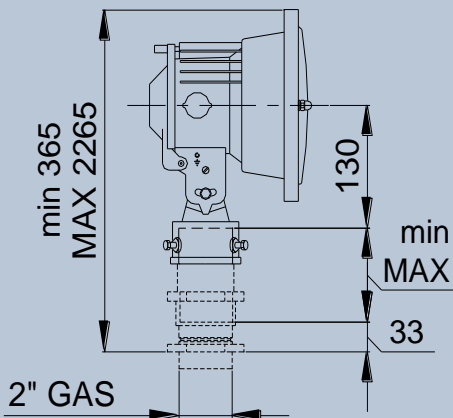
Fig. 6 FAA L-862S – Red



Configuration P-001



Configuration C-050



Configuration C-250

FAU - AC - 150 - P-001

Basic P/N: _____

Use Code: _____
(Refer to TABLE A)

Lamps: _____

- 065 = 1x65W 6.6A PK30/d
- 100 = 1x100W 6.6A PK30/d
- 150 = 1x150W 6.6A PK30/d
- 200 = 1x200W 6.6A PK30/d

Configuration: _____

- P-001 = Fixture complete with breakable coupling
- C-050 = Fixture with graduated support and cable lead (L= 0.5 m)(*)
- C-250 = Semi-assembled fixture (AC and AR only)(*) (**)

(*) Mounting pole and breakable coupling must be ordered separately

(**) This configuration is provided with graduated support and cable lead (L = 2.5 m) not assembled

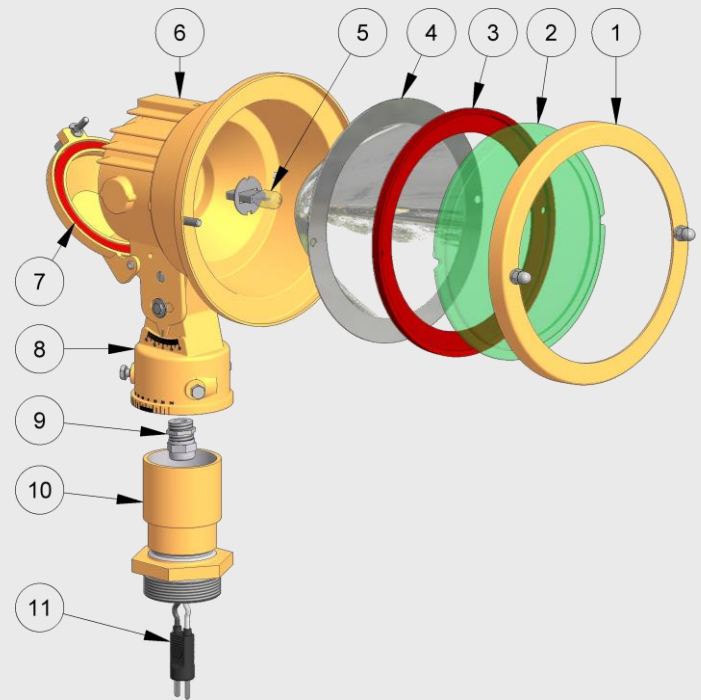
TABLE A

USE CODE	APPLICATION	COLOUR	LAMP		
			ICAO	STANAG	FAA
AC	Approach centreline and crossbars	WHITE	150W	150W	/
AR	Approach side row	RED	150W	150W	/
TG	Threshold	GREEN	150W	150W	/
WG	Threshold Wing Bar	GREEN	200W	200 W	/
ER	Runway End	RED	65W	65W	/
SB	FAA Stop bar	RED	/	/	100W

RENEWAL PARTS FOR LIGHT UNIT

- 1 Aluminium ring
- 2 Front glass
- 3 Front glass gasket
- 4 Aluminium reflector
- 5 Lamp
- 6 Body
- 7 Rear door gasket
- 8 Graduated support with screws
- 9 Cable gland
- 10 Breakable coupling
- 11 FAA L-823 plug

Refer to the relevant technical manual for the complete list of the available spare parts

**ACCESSORIES**

- | | |
|----------|---|
| 013.0010 | Set of two ryton rings for receptacle support inside pipe elbow |
| 013.0008 | Galvanized steel pipe elbow with upper threaded end only (2" - 11 GAS thread) |
| 315.3210 | Galvanized steel pipe elbow with both threaded ends (2" - 11 GAS thread) |
| 315.1228 | Base L-867, Class IA, Size B, 24" Deep |
| 315.1062 | Baseplate for L-867 base with gasket and cable clamp (2" - 11 GAS thread) |
| 303.6130 | Breakable coupling for FAU-C-050 and FAU-C-250 (pole height up to 500 mm) |
| 303.6120 | Breakable coupling for FAU-C-250 (pole height from 501 to 1000 mm) |
| 303.6110 | Breakable coupling for FAU-C-250 (pole height from 1001 to 1500 mm) |
| 303.6100 | Breakable coupling for FAU-C-250 (pole height from 1501 to 2000 mm) |
| 315.3010 | 2" pole (H = 100 mm) |
| 315.3230 | 2" pole (H = 500 mm) |
| 315.3240 | 2" pole (H = 1000 mm) |
| 315.3250 | 2" pole (H = 1500 mm) |
| 315.3260 | 2" pole (H = 2000 mm) |
| 332.4576 | Levelling and alignment device for light on 2" dia pole |
| 332.4580 | Levelling and alignment device for light on frangible pole |

For any information about isolating transformers and connectors, please see the specific catalogue pages

Shipping Weights and Volumes

	Light Type P-001	Light Type C-050	Light Type C-250
Weight (kg)	2.6	2.3	3.2
Volume (m³)	0.019	0.019	0.019

We reserve the right to change the design or specification data without notice

UC-PU-0054_EN-Rev.F