



# AEOL

## OMNIDIRECTIONAL ELEVATED APPROACH LIGHT



### COMPLIANCES

ICAO: Annex 14 - Volume I

### APPLICATIONS

Approach to instrument runways

### BENEFITS

- Single lamp offer a quick and easy replacement without need of tools.
- 1000 hours lamp rated life at full intensity, but over 3000 hours in field operating conditions
- Designed with simplicity allowing longer maintenance intervals and fewer spare parts
- Symmetric Fresnel clear lens, made of heat resistant glass fastened to the body by means of a stainless steel clamp. A silicon O-Ring between lens and body is provided for watertight with no use of any sealing for is quick and easy replacement
- No optical adjustment after lamp or lens replacement

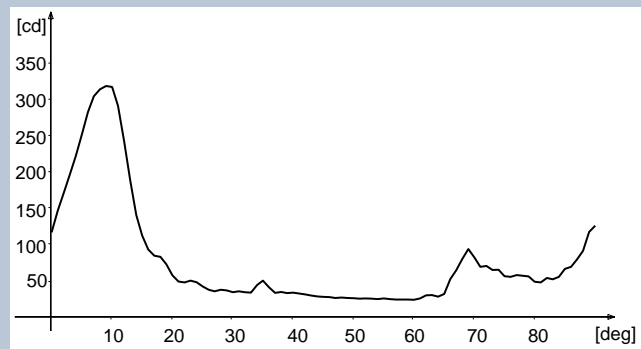
### PERFORMANCES

- Lightweight and sturdy due to aluminium die-castings
- Powder coating surface finishing to provide good corrosion resistance
- Body complete with a suitable coupling for direct mounting on breakable coupling or on the top of 60 mm dia supporting pole
- Protection degree: IP54
- Temperature range: -55°C to +55°C

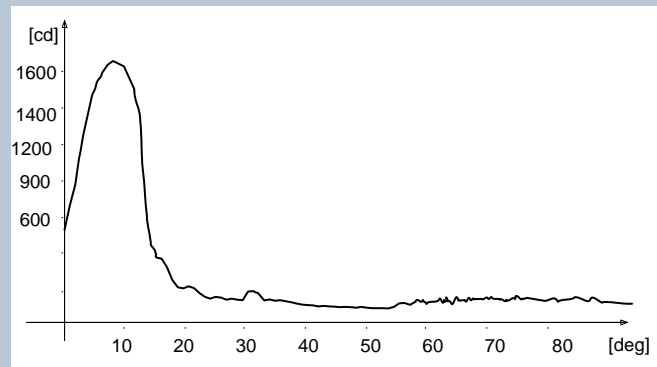
### INSTALLATION

- The fixture can be installed on pipe elbow or baseplate
- Specific tools available for easy and precise installation

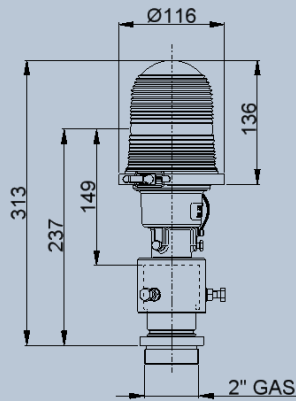
## PHOTOMETRIC PERFORMANCES



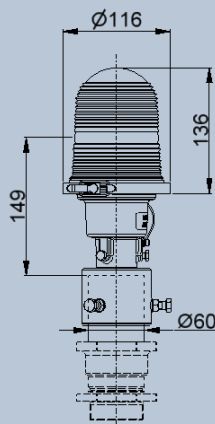
45W



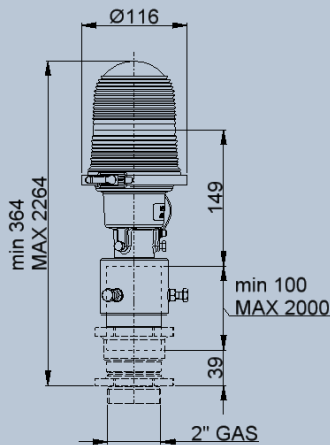
150W



Configuration P-001



Configuration C-050



Configuration C-250

**AEOL - I - A - C - 045 - P-001**

Basic P/N: \_\_\_\_\_

Compliance: \_\_\_\_\_

I = ICAO

Use Code: \_\_\_\_\_

A = Approach

T = In combination with B747 turning pad panels

Colour: \_\_\_\_\_

C = White

R = Red

G = Green

Lamp: \_\_\_\_\_

045 = 1x45W 6.6A GZ 9.5

150 = 1x150W 6.6 GY 9.5

**Configuration:**

P-001 = Fixture complete with breakable coupling

C-050 = Fixture with graduated support and cable lead (L= 0.5 m)(\*)

C-250 = Semi-assembled fixture (\*) (\*\*)

P-090 = Fixture complete with mounting pole, 90 cm long, and breakable coupling (only use code T and colour R)

P-175 = Fixture complete with mounting pole, 175 cm long, and breakable coupling (only use code T and colour G)

(\*) Mounting pole and breakable coupling must be ordered separately

(\*\*) This configuration is provided with graduated support and cable lead (L = 2.5 m) not assembled

**RENEWAL PARTS FOR LIGHT UNIT**

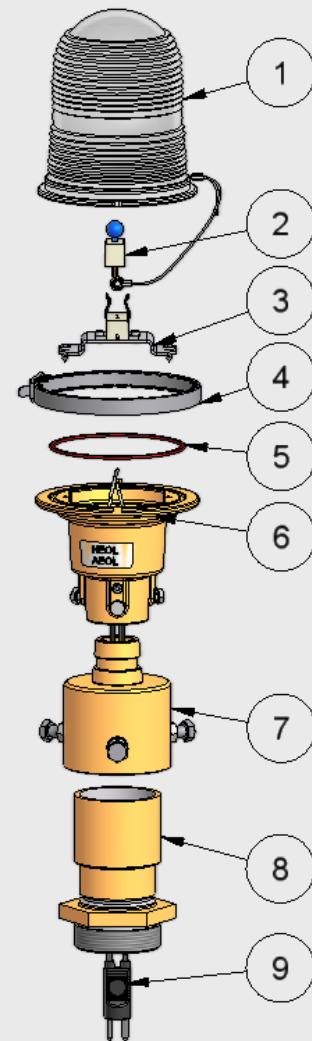
- 1 Lens with metallic ring and hardware Lampada
- 2 Lampholder
- 3 Clamp for lens
- 4 O-Ring for lens
- 5 Body with hardware
- 6 Coupling with hardware
- 7 Breakable coupling
- 8 FAA L-823 plug

Refer to the relevant technical manual for the complete list of the available spare parts

**ACCESSORIES**

- 013.0010 Set of two ryton rings for receptacle support inside pipe elbow
- 013.0008 Galvanized steel pipe elbow with upper threaded end only (2" - 11 GAS thread)
- 315.3210 Galvanized steel pipe elbow with both threaded ends (2" - 11 GAS thread)
- 315.1228 Base L-867, Class IA, Size B, 24" Deep
- 315.1062 Baseplate for L-867 base with gasket and cable clamp (2" - 11 GAS thread)
- 303.6130 Breakable coupling for FAU-C-050 and FAU-C-250 (pole height up to 500 mm)
- 303.6120 Breakable coupling for FAU-C-250 (pole height from 501 to 1000 mm)
- 303.6110 Breakable coupling for FAU-C-250 (pole height from 1001 to 1500 mm)
- 303.6100 Breakable coupling for FAU-C-250 (pole height from 1501 to 2000 mm)
- 315.3010 2" pole (H = 100 mm)
- 315.3230 2" pole (H = 500 mm)
- 315.3240 2" pole (H = 1000 mm)
- 315.3250 2" pole (H = 1500 mm)
- 315.3260 2" pole (H = 2000 mm)

For any information about isolating transformers and connectors, please see the specific catalogue pages

**Shipping Weights and Volumes**

	Light Type P-001	Light Type C-050	Light Type C-250
<b>Weight (kg)</b>	1.5	1.3	2.2
<b>Volume (m<sup>3</sup>)</b>	0.009	0.009	0.009

We reserve the right to change the design or specification data without notice

UC-PU-0287\_EN-Rev.B