

6300 SERIES

High Intensity Runway Light



Fixture shown with #961 Frangible Coupling and #1170-03 Baseplate

The 6300 Series High Intensity Light is used for elevated runway edge and elevated threshold/end lighting.

The fixtures are certified to FAA L-862 and L-862E under Advisory Circular 150/5345-46 and meets requirements of ICAO Annex 14.

The die cast aluminum fixture body supports smooth heat resistant outer lens and the inner lenses in a precise position with respect to the prefocused filament of the lamp. Runway edge lights use a clear outer lens with clear or colored inner lenses. Threshold/End lights use colored outer lens with clear inner lenses. Fixtures mount directly on a 2" Frangible Coupling or on 2" EMT with an EMT Frangible Coupling.

The L-862 Runway edge lights use a 120W 6.6A Bi-pin quartz lamp. For the L-862E Threshold/End lights, a 200W 6.6A quartz lamp is used. Easy lamp replacement is accomplished by loosening one thumbscrew and lifting the entire optic lens assembly from the base unit. Other lamp wattages are available upon request.

ORDERING INFORMATION

Basic Fixture Assembly



Application:
R = Edge Light
T = Threshold Light

Omit when ordering only Basic Fixture Assembly.

Color/Color:*A = Amber
B = Blue
G = Green
O = Obscure (Blank)
R = Red
W = White (Clear)

*Omit when ordering only Basic Fixture Assembly.
For Threshold Lights, first color listed is considered "Left-Hand".
"Left-Hand and "Right-Hand" is as viewed from the approach side of the runway with respect to the runway centerline. Note that threshold lights should be ordered with equal quantities of "Left-Hand" and "Right-Hand" glassware.

Fixture Mounting Height, inches:
Standard Height is 10"
14 = 14"
20 = 20"
24 = 24"
30 = 30"
Fixtures over standard height include longer cable and 2" EMT cut to proper length.

How to order:

For complete fixture assembly, add optional items to basic fixture assembly in the following manner: Choose the application that the fixture will be used. Add color and height requirements.

Examples:

- (1) 6370-20 is the Basic Fixture Assembly, less lenses, for 20" high mounting.
- (2) 6370-R-AW-20 is a L862 Runway Light, with Amber and White (Clear) light, 20" high.
- (3) 6370-T-RG-30 is a L862E Threshold Light, with Red and Green light; Green light on right side of centerline, 30" high.
- (4) 6370-T-GR-30 is a L862E Threshold Light, with Red and Green light; Green light on left side of centerline, 30" high.

Note: Lamp and Frangible Coupling are to be ordered separately

Accessories

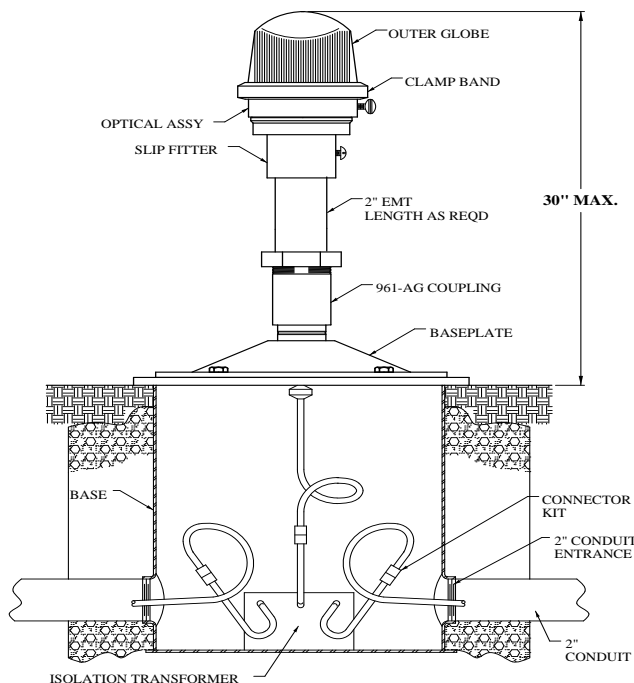
Catalog Number	Description
1170-03	Baseplate, 2" tap, Aluminum
1932	Baseplate, 2" tap, Steel
2102	Stake Assembly, 2" tap
961	2" Slip type Frangible Coupling
961-AG	2" EMT Frangible Coupling
9696	120W 6.6A Bi-pin Quartz Lamp
9697	150W 6.6A Bi-pin Quartz Lamp (not FAA certified)
9699	200W 6.6A Bi-pin Quartz Lamp

Replacement Parts

Catalog Number	Description	Catalog Number	Description
6370	Basic Fixture Assembly, 14"h max	6370-10W	White (Clear) Inner Lens, 177½
6370-L	Basic Fixture Assembly, 30"h max	6370-10A	Amber Inner Lens, 177½
6370-01	Lens Mounting Casting	6370-10B	Blue Inner Lens, 177½
6370-02	O" Ring Gasket	6370-10G	Green Inner Lens, 177½
6370-03	Lamp Pad	6370-10R	Red Inner Lens, 177½
6370-04	Lamp Socket	6370-10O	Obscure Inner Lens, 177½
6370-05	Clamp Band	6370-13-G/R-LH	Green/Red Outer Lens, Left-Hand
1170-16	Cable Assembly, 16"long	6370-13-G/R-RH	Green/Red Outer Lens, Right-Hand
1170-32	Cable Assembly, 32"long	6370-13-R/B-LH	Red/Blue Outer Lens, Left-Hand
6370-08-6	2" EMT, 6" long (14"h)	6370-13-R/B-RH	Red/Blue Outer Lens, Blue Left-Hand
6370-08-12	2" EMT, 12" long (20"h)	6370-13-R/O-LH	Red/Obscure Outer Lens, Left-Hand
6370-08-16	2" EMT, 16" long (24"h)	6370-13-R/O-RH	Red/Obscure Outer Lens, Right-Hand
6370-08-22	2" EMT, 22" long (30"h)	6370-13-G/O-LH	Green/Obscure Outer Lens, Left-Hand
6370-09	Clear Outer Lens	6370-13-G/O-RH	Green/Obscure Outer Lens, Right-Hand

BASE MOUNTED ELEVATED LIGHT

FIXTURE SHOWN WITH OPTIONAL EXTRA HEIGHT



STAKE MOUNTED ELEVATED LIGHT

FIXTURE SHOWN WITH OPTIONAL EXTRA HEIGHT

